

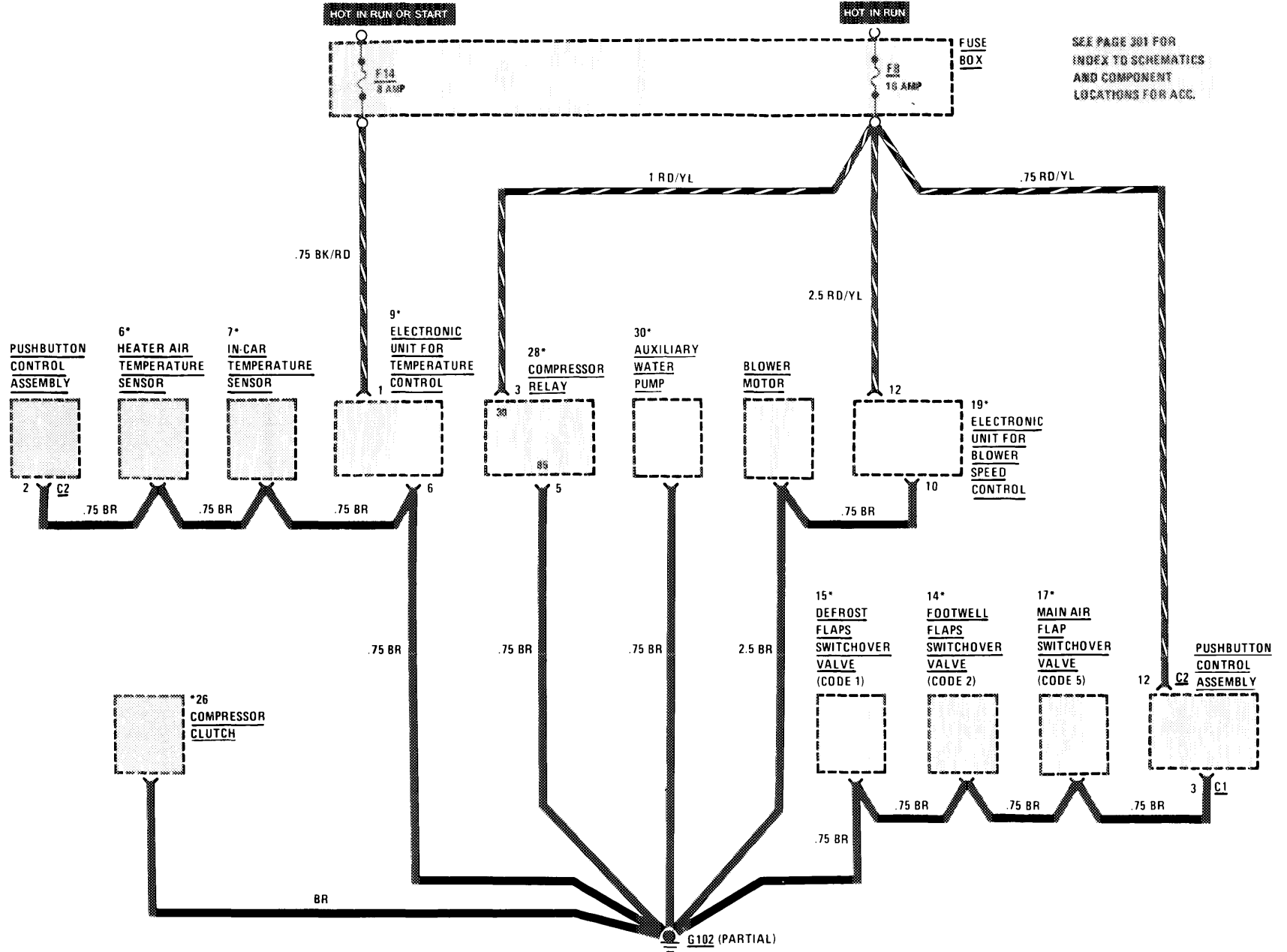
INDEX

MODEL	SALES DESIGNATION
123.133	300 D (Turbo)
123.153	300 CD (Turbo)
123.193	300 TD (Turbo)

CIRCUIT	PAGE	CIRCUIT	PAGE
Anti Theft Alarm System	137	Lights (continued)	
Automatic Antenna	115	—License	112, 114
Automatic Climate Control	119	—Marker	114
Auxiliary Fan	127	—Park	112
Charging System	108	—Stop	111
Cigar Lighter	115	—Tail	112
Clock	121	—Trunk	114
Cruise Control	111	—Turn Signal	116
Diagnostic Connector	120	Power Distribution	104
Engine Overload Protection	109	Power Windows	132
Exhaust Gas Recirculation	108/1	Pre-Glow System	106
Fuse Information	102	Radio	115
Gauges	120	Rear Defogger	130
Ground Distribution	141	Rear Wiper/Washer	129
Heated Seats	134	RH Outside Mirror	136
Horns	126	Seat Backrest Locking	
Lights		System	135
—Backup	109	Sliding Roof	126
—Center Console	124	Start/Stop (Ignition Switch)	107
—Courtesy	122	Supplemental Restraint System (SRS)	145
—Fog Lights	110	Transmission Kickdown	109
—Glove Box	109	Warning Indicators	120
—Hazard	116	Warning System	118
—Headlights	110	Wiper/Washer	128
—Instrument Cluster	121, 124		

AUTOMATIC CLIMATE CONTROL (ACC) POWER AND GROUND DISTRIBUTION

(For Component Locations See Page 310)



SEE PAGE 301 FOR INDEX TO SCHEMATICS AND COMPONENT LOCATIONS FOR ACC.

REVISIONS:

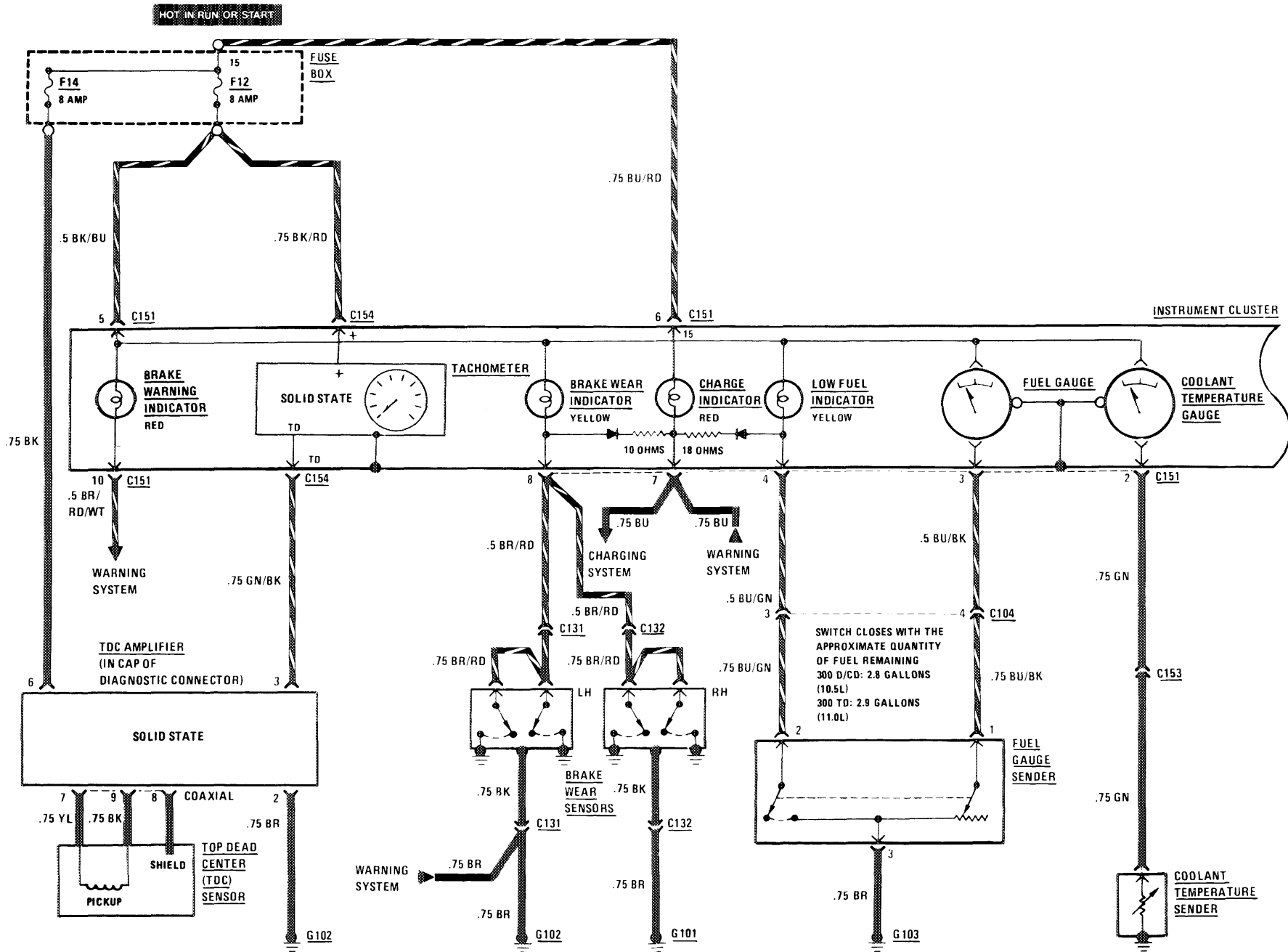
WARNING INDICATORS/GAUGES

(For Component Locations See Page 208)

JMY 1983

120

123.133/.153/.193



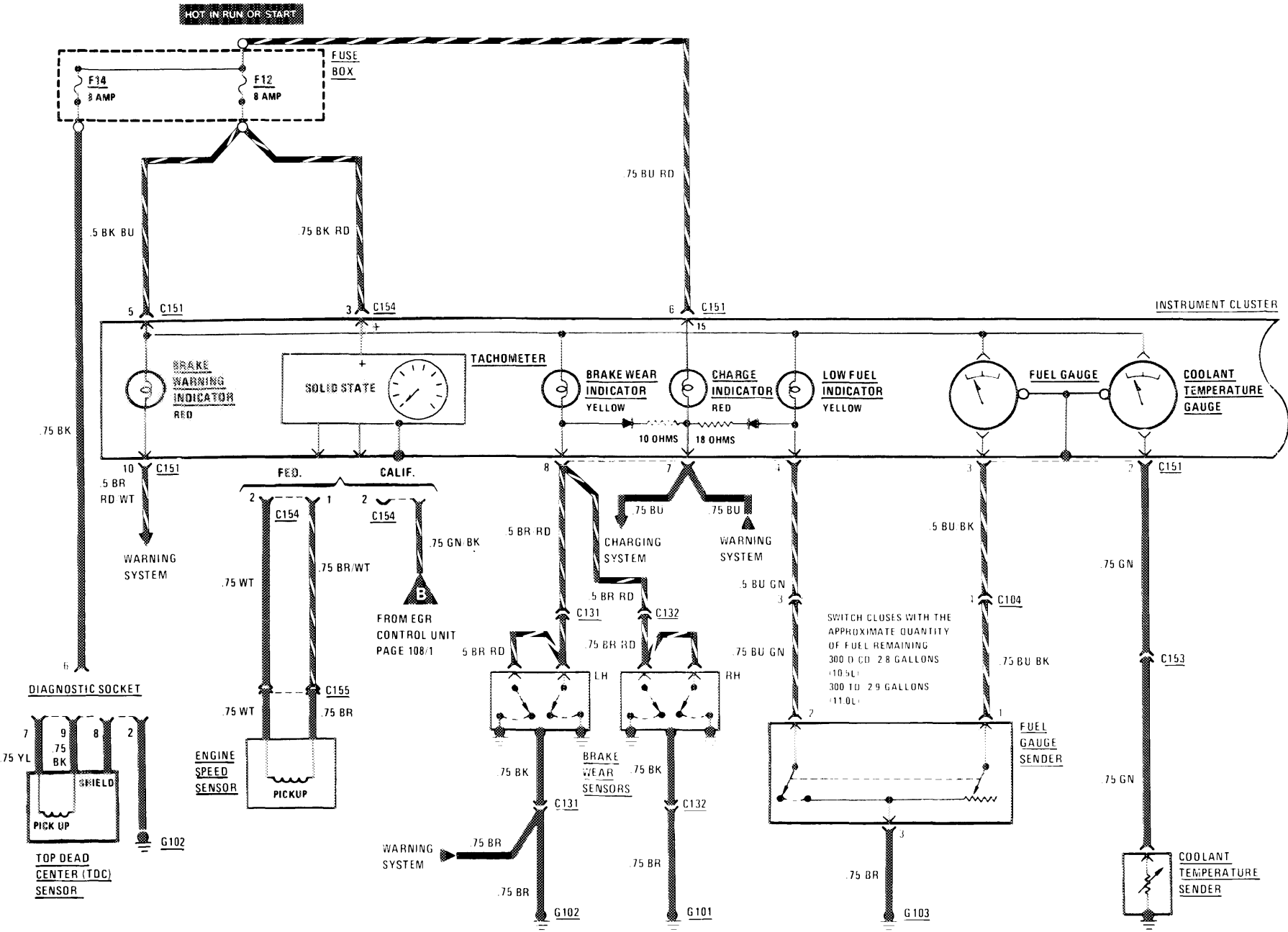
REVISIONS:

WARNING INDICATORS/GAUGES

(For Component Locations See Page 208)

AS OF MY 1984

123.133 / 153 / 193



REVISIONS:

120/

THIS PAGE LEFT BLANK INTENTIONALLY

REVISIONS:

120/2

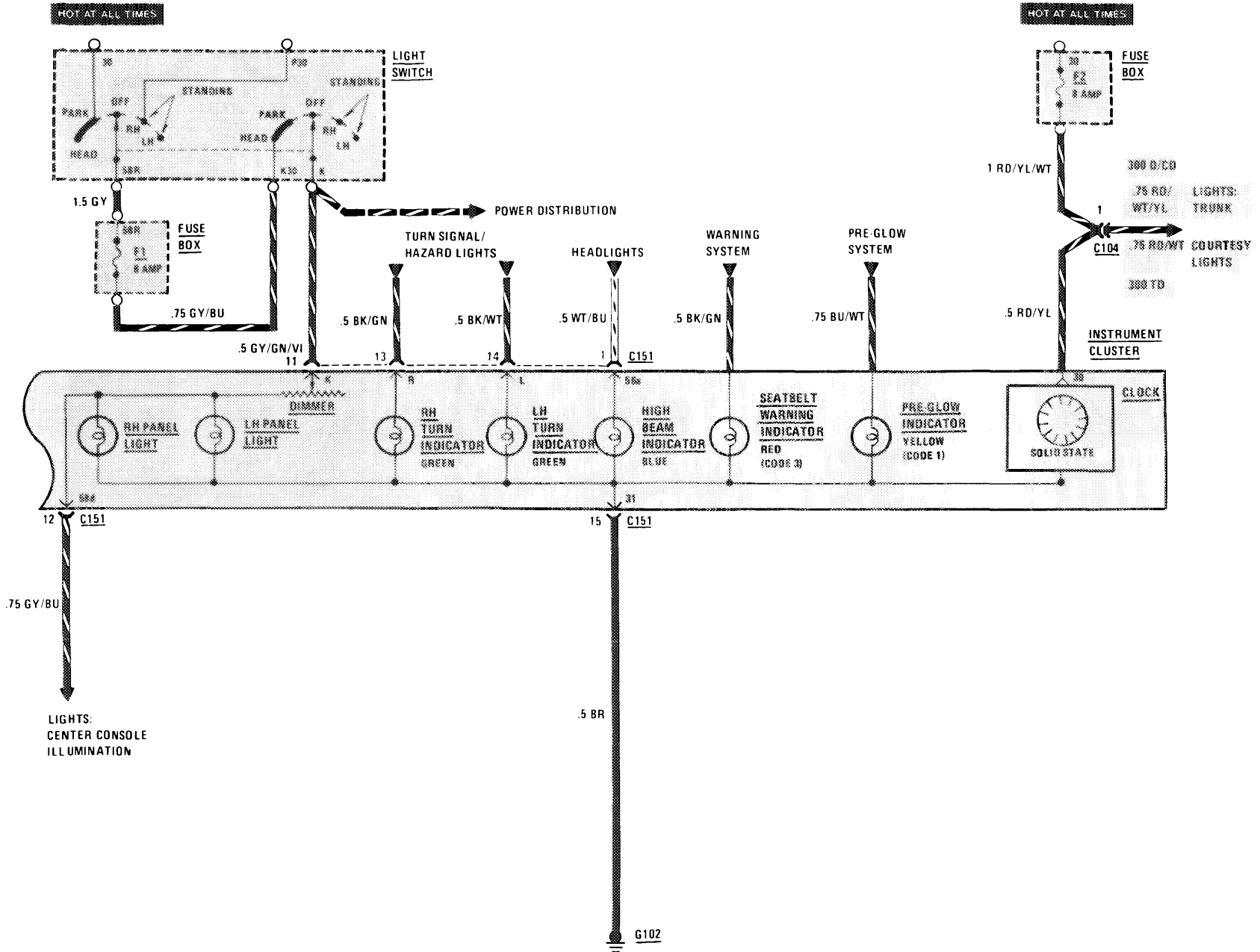
123.133/.153/.193

3/8/11

WARNING INDICATORS/GAUGES/CLOCK/INSTRUMENT CLUSTER ILLUMINATION

(For Component Locations See Page 208)

2/83



123.133/.153/.193

121

REVISIONS:

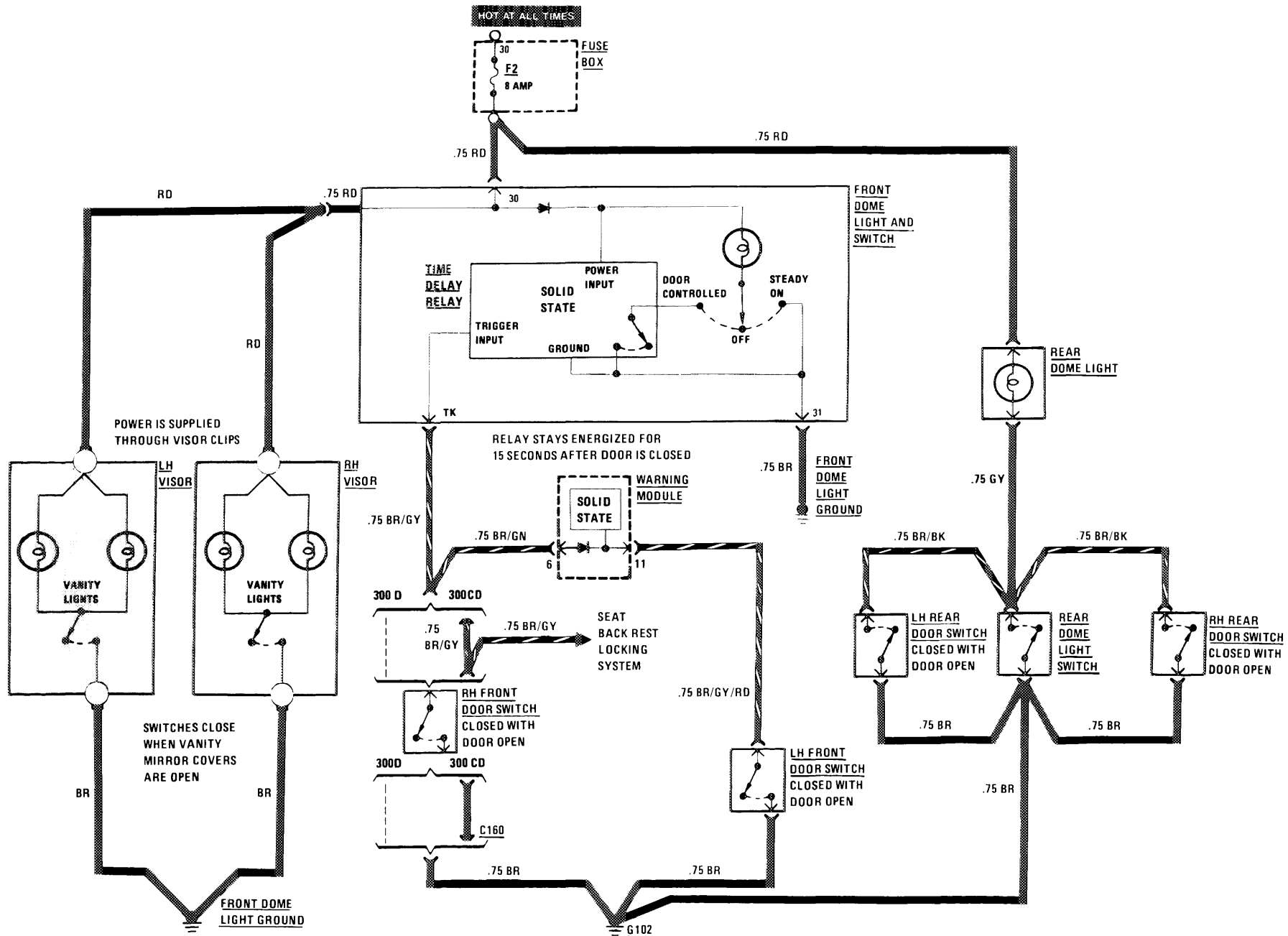
COURTESY LIGHTS

(For Component Locations See Page 202)

300 D/CD

122

123.133/153

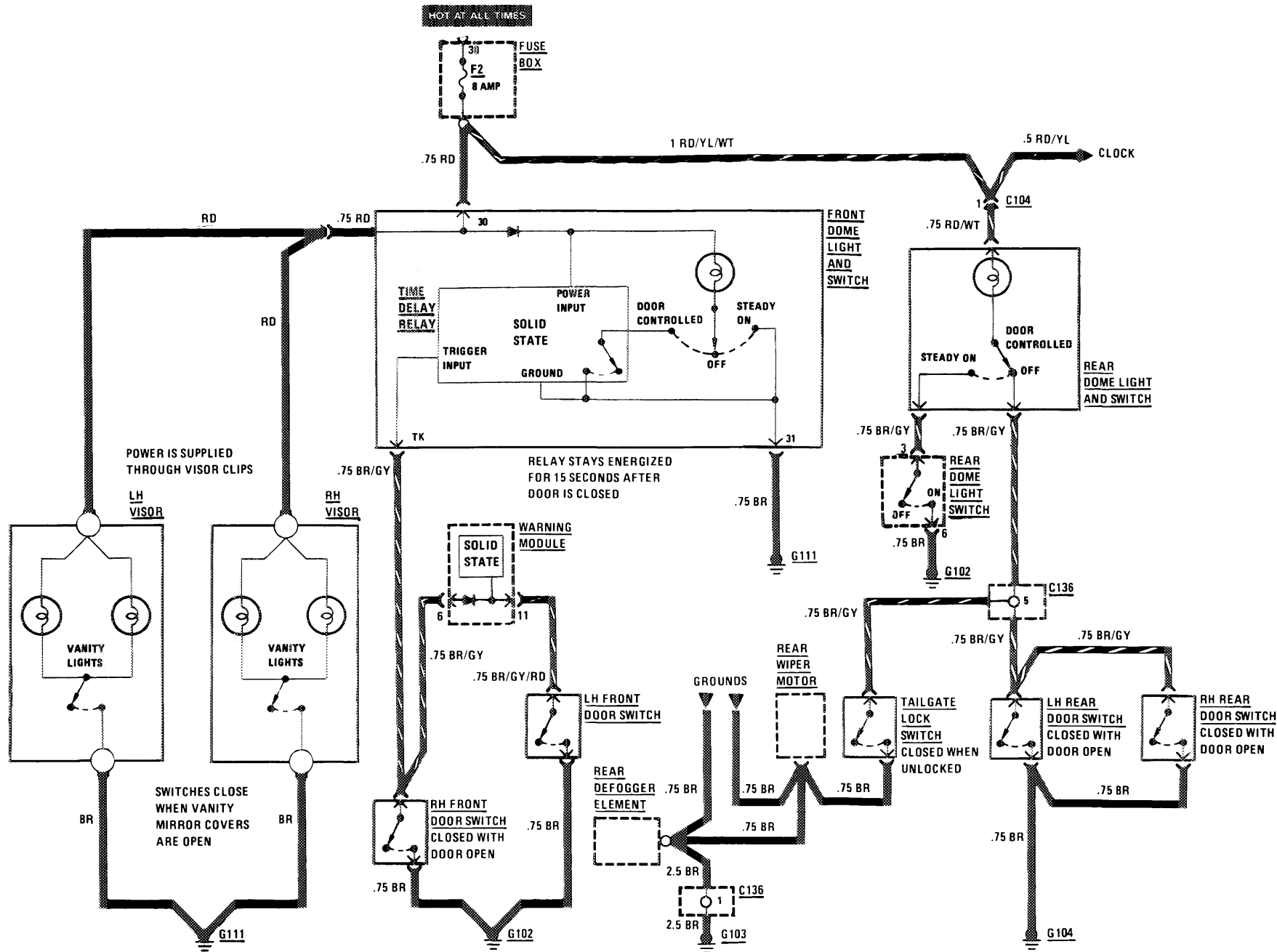


REVISIONS:

3-8

COURTESY LIGHTS

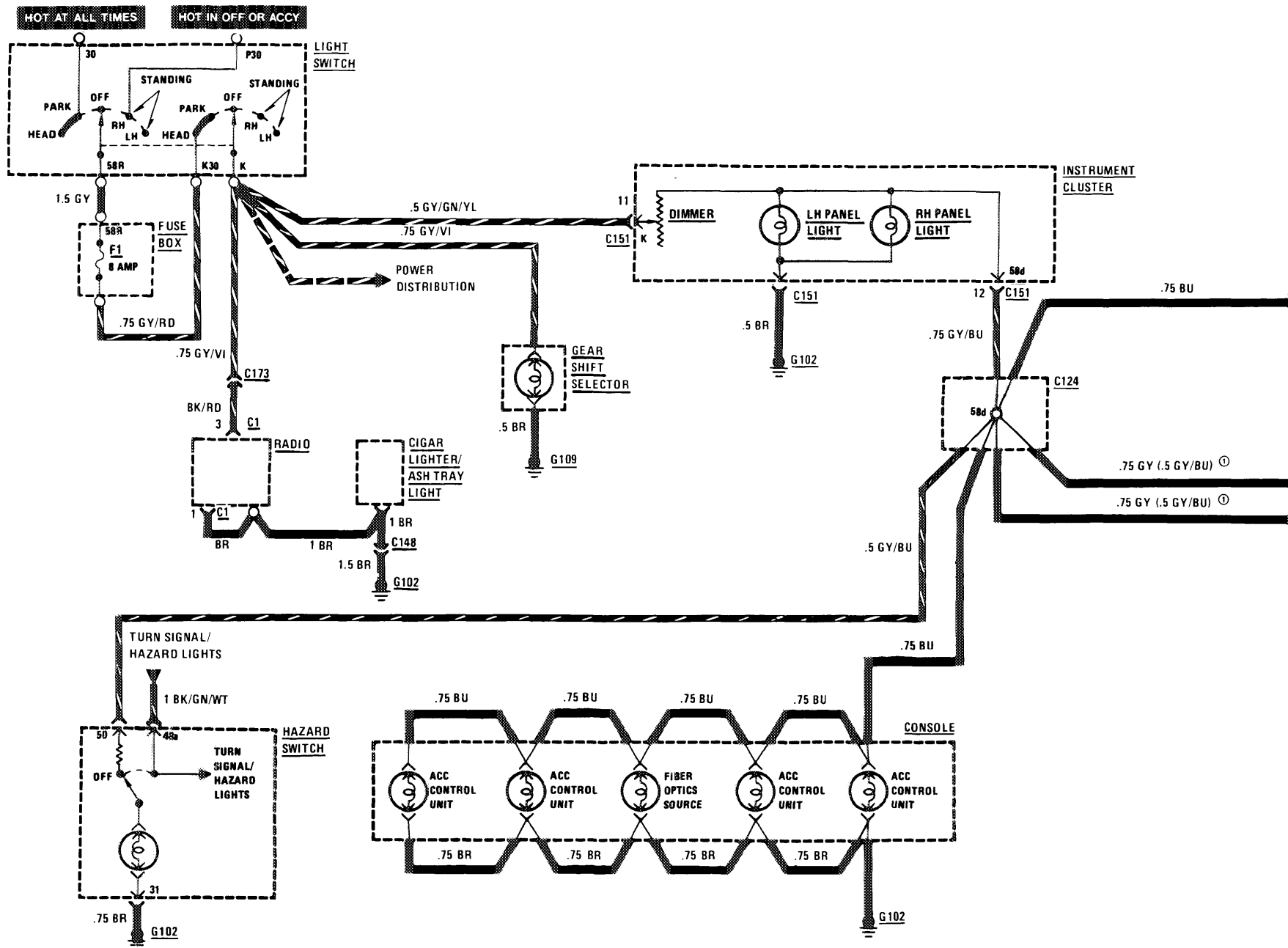
(For Component Locations See Page 202)



REVISIONS:

ILLUMINATION: INSTRUMENT CLUSTER / CENTER CONSOLE

(For Component Locations See Page 201)



REVISIONS: ① AS OF MODEL YEAR 1984

124

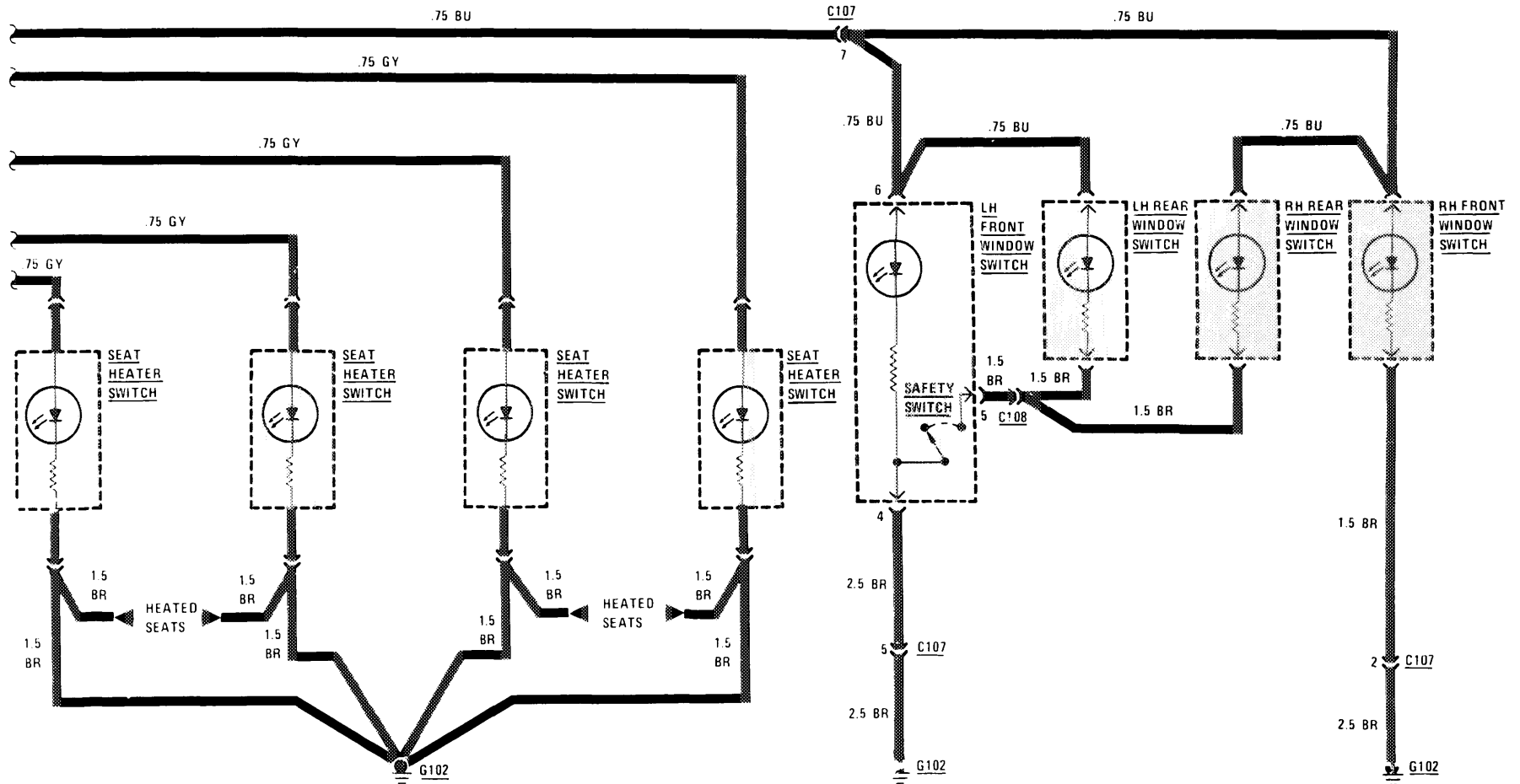
123.133/.153/.193

3:85

CENTER CONSOLE ILLUMINATION

(For Component Locations See Page 201)

123.133/.153/.193



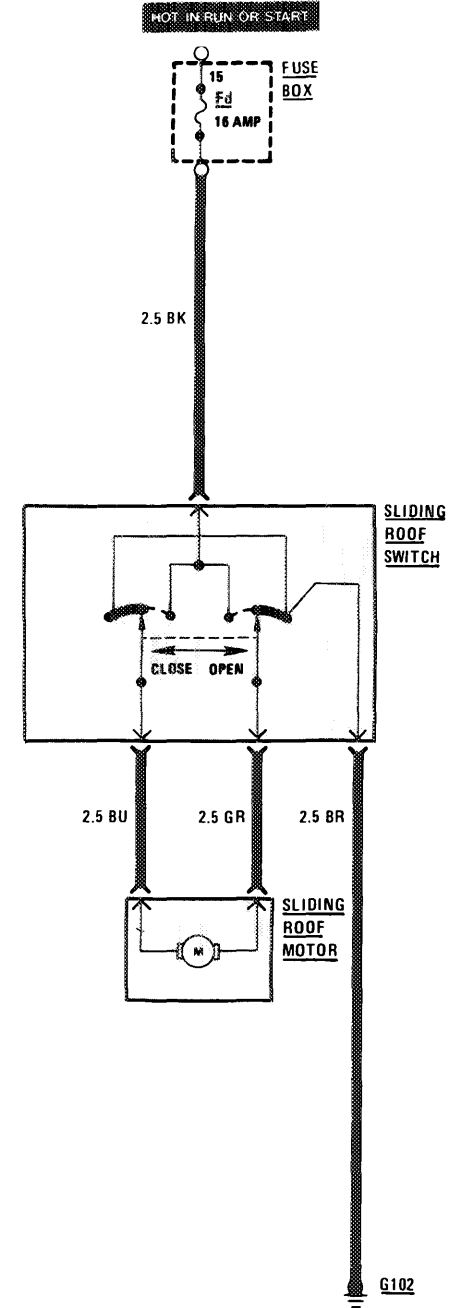
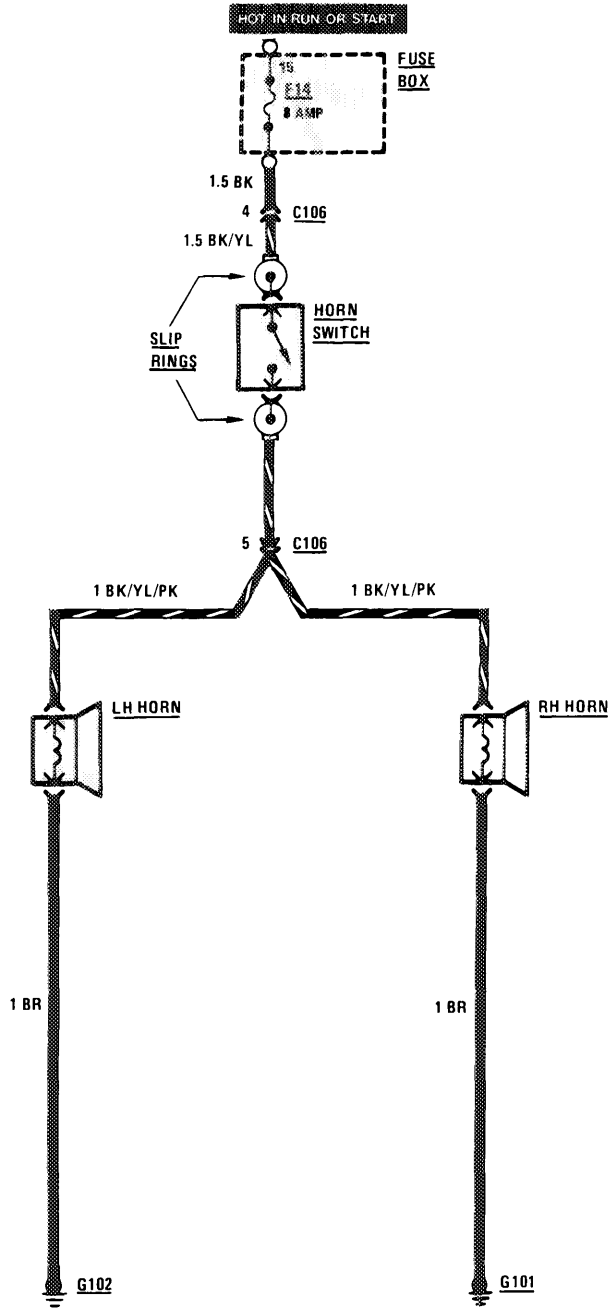
125

REVISIONS:

HORNS

(For Component Locations See Page 203)

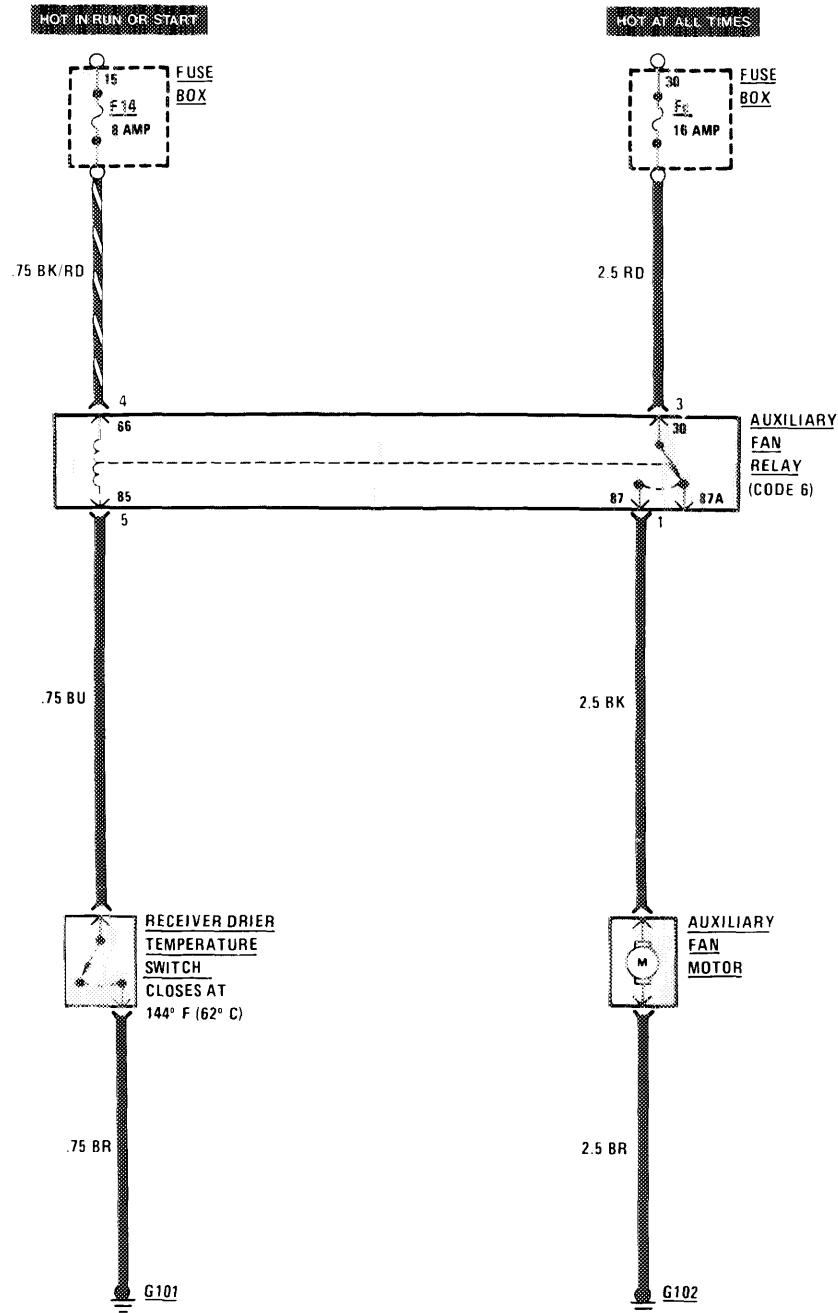
SLIDING ROOF



REVISIONS:

AUXILIARY FAN

(For Component Locations See Page 201)

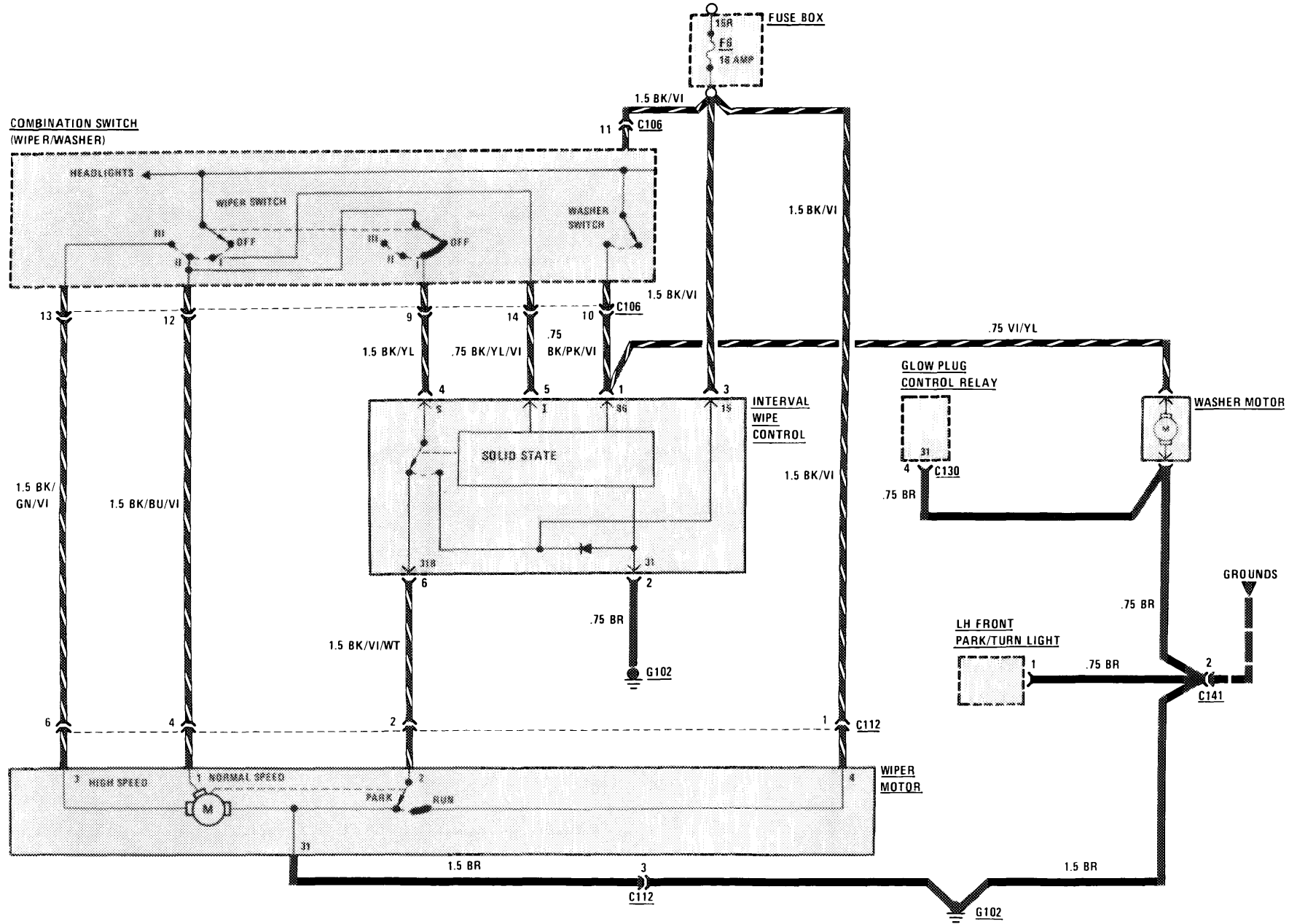


REVISIONS:

WIPER/WASHER

(For Component Locations See Page 206)

HOT IN ACCY. RUN OR START



123.133/.153/.193

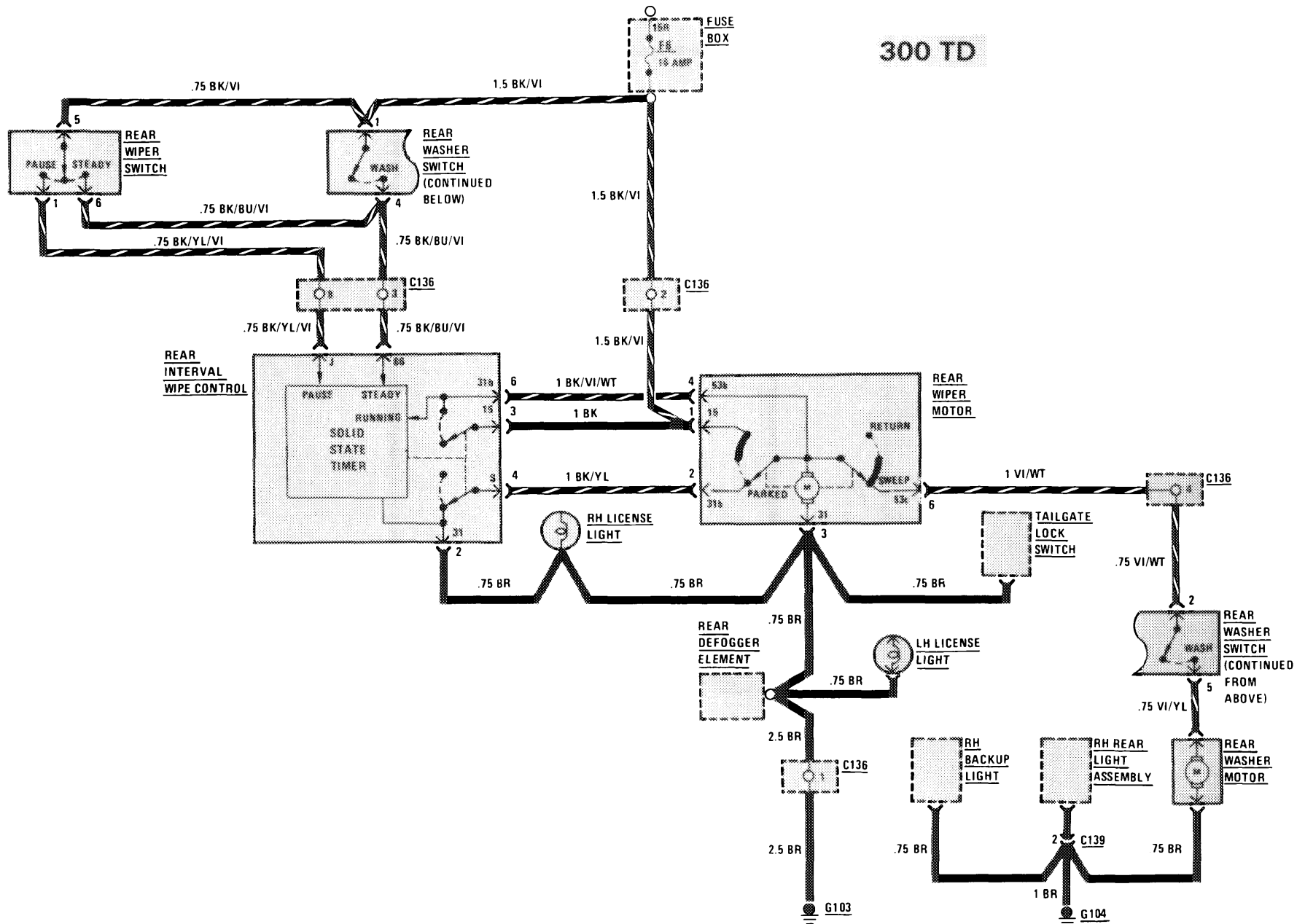
REVISIONS:

REAR WIPER/WASHER

(For Component Locations See Page 206)

HOT IN ACCY. RUN OR START

300 TD



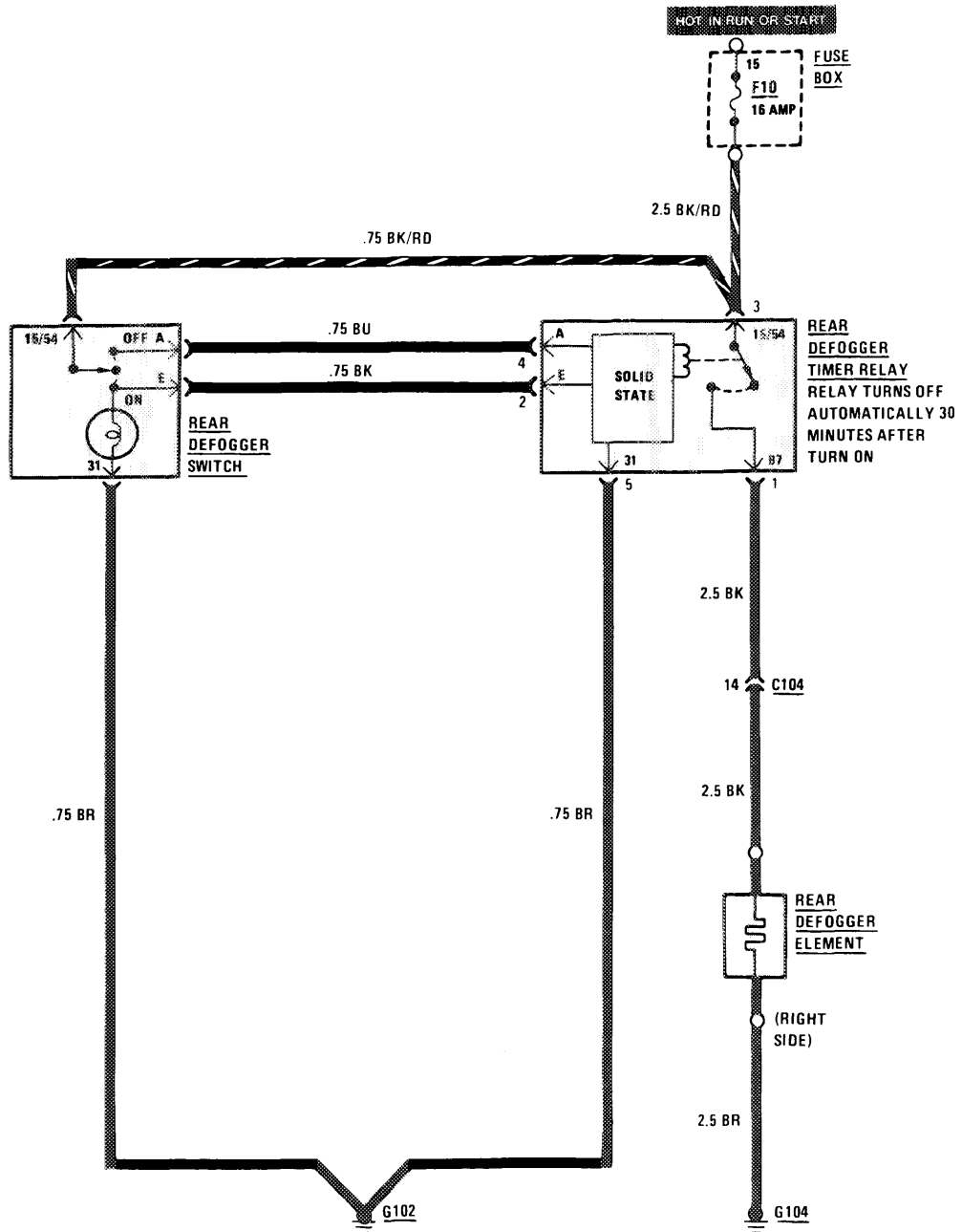
123.193

129

REVISIONS:

REAR DEFOGGER

(For Component Locations See Page 205)



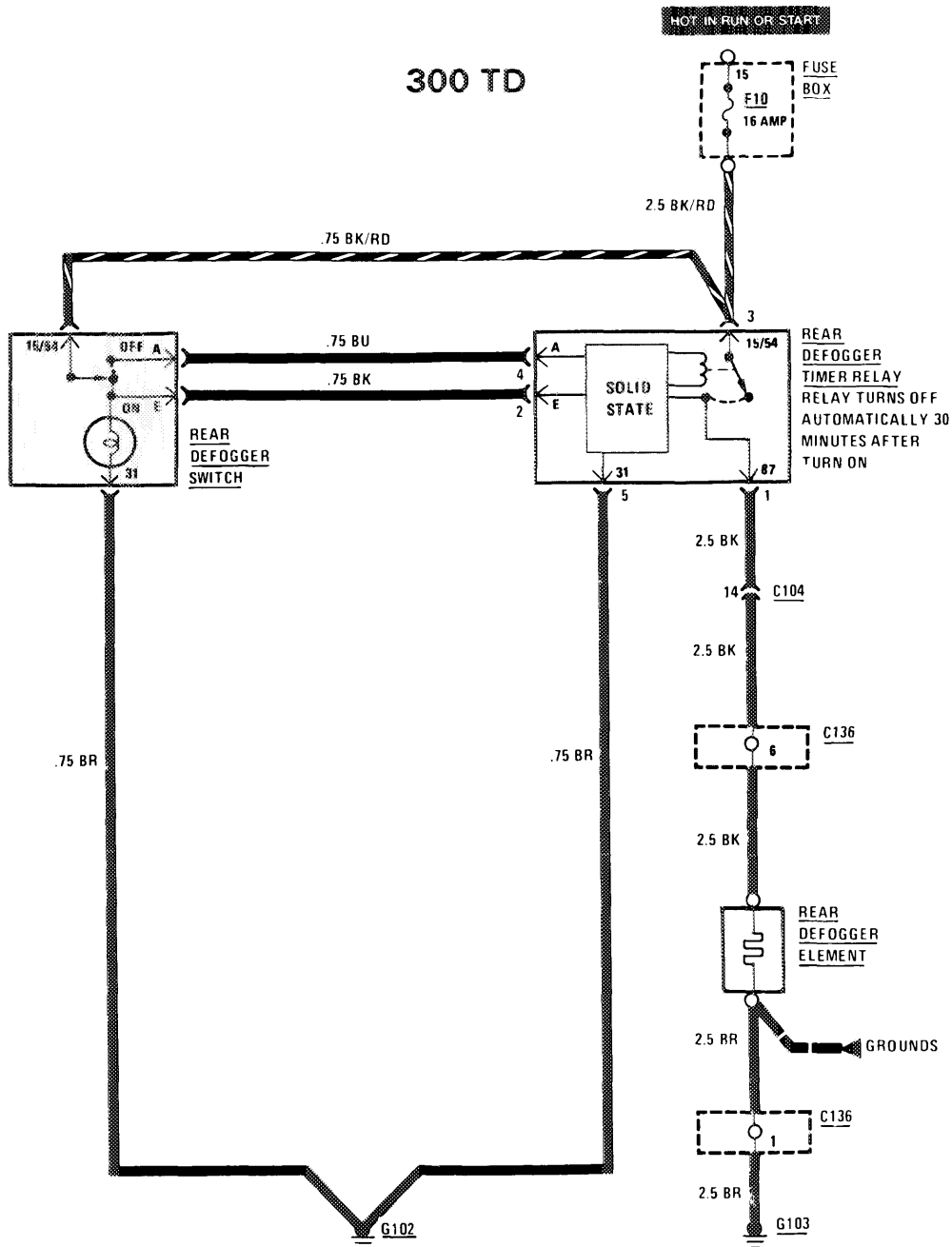
REVISIONS:

REAR DEFOGGER

(For Component Locations See Page 205)

2/83

123.193



131

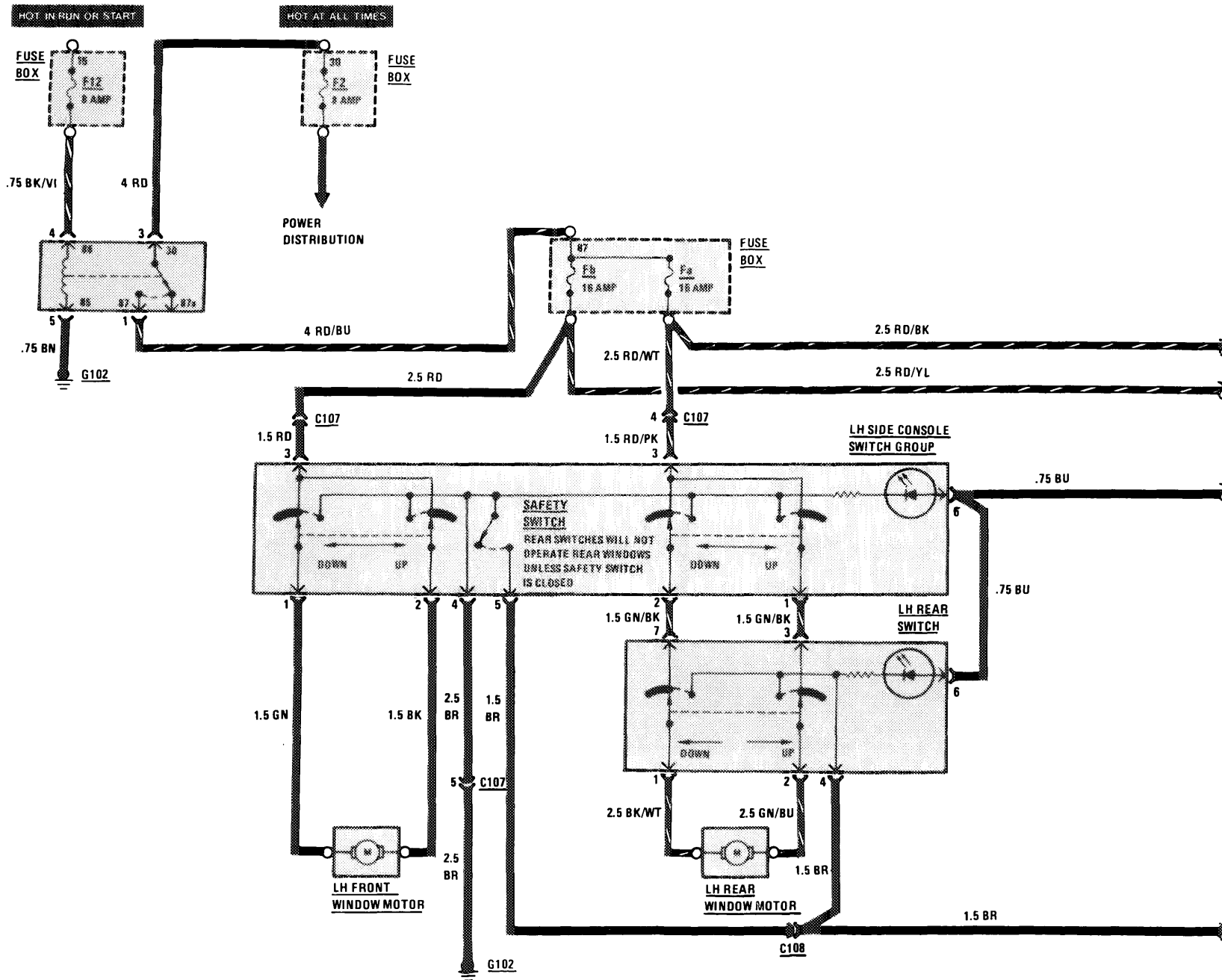
REVISIONS:

POWER WINDOWS

(For Component Locations See Page 204)

132

123.133/.153/.193



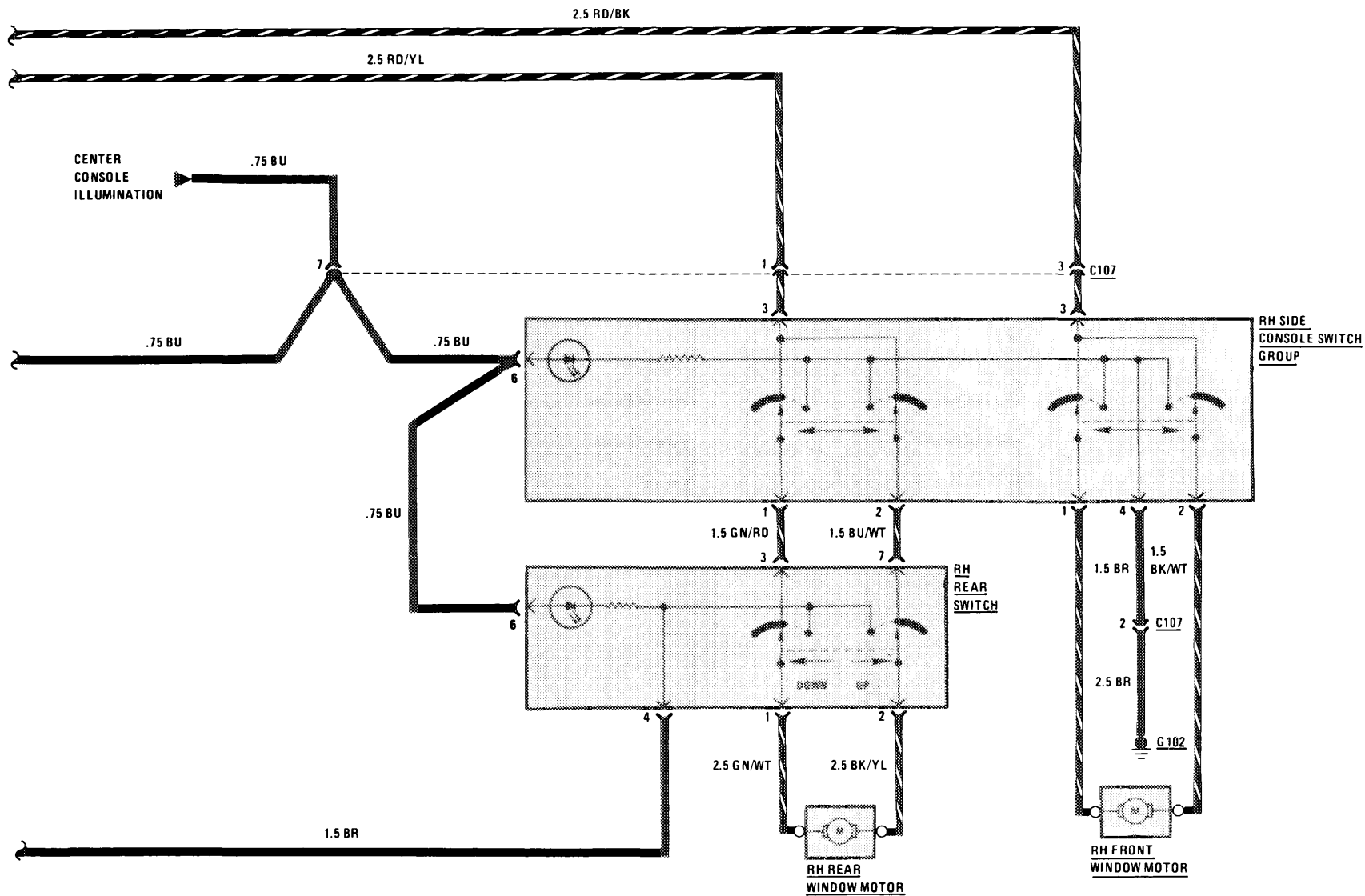
REVISIONS:

POWER WINDOWS

(For Component Locations See Page 205)

2/83

123.133/.153/.193

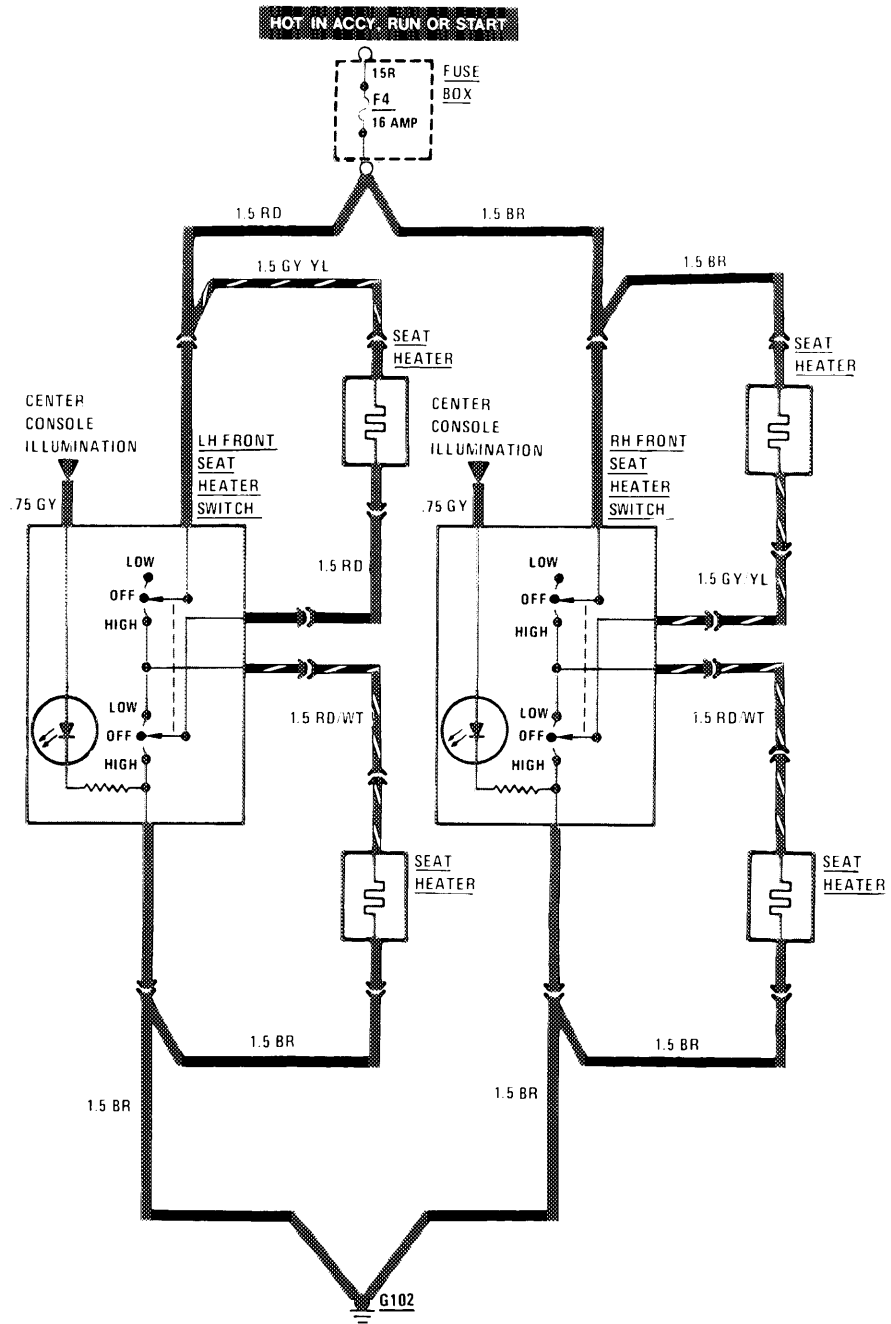


133

REVISIONS:

HEATED SEATS

(For Component Locations See Page 203)



134

123.133/.153/.193

REVISIONS:

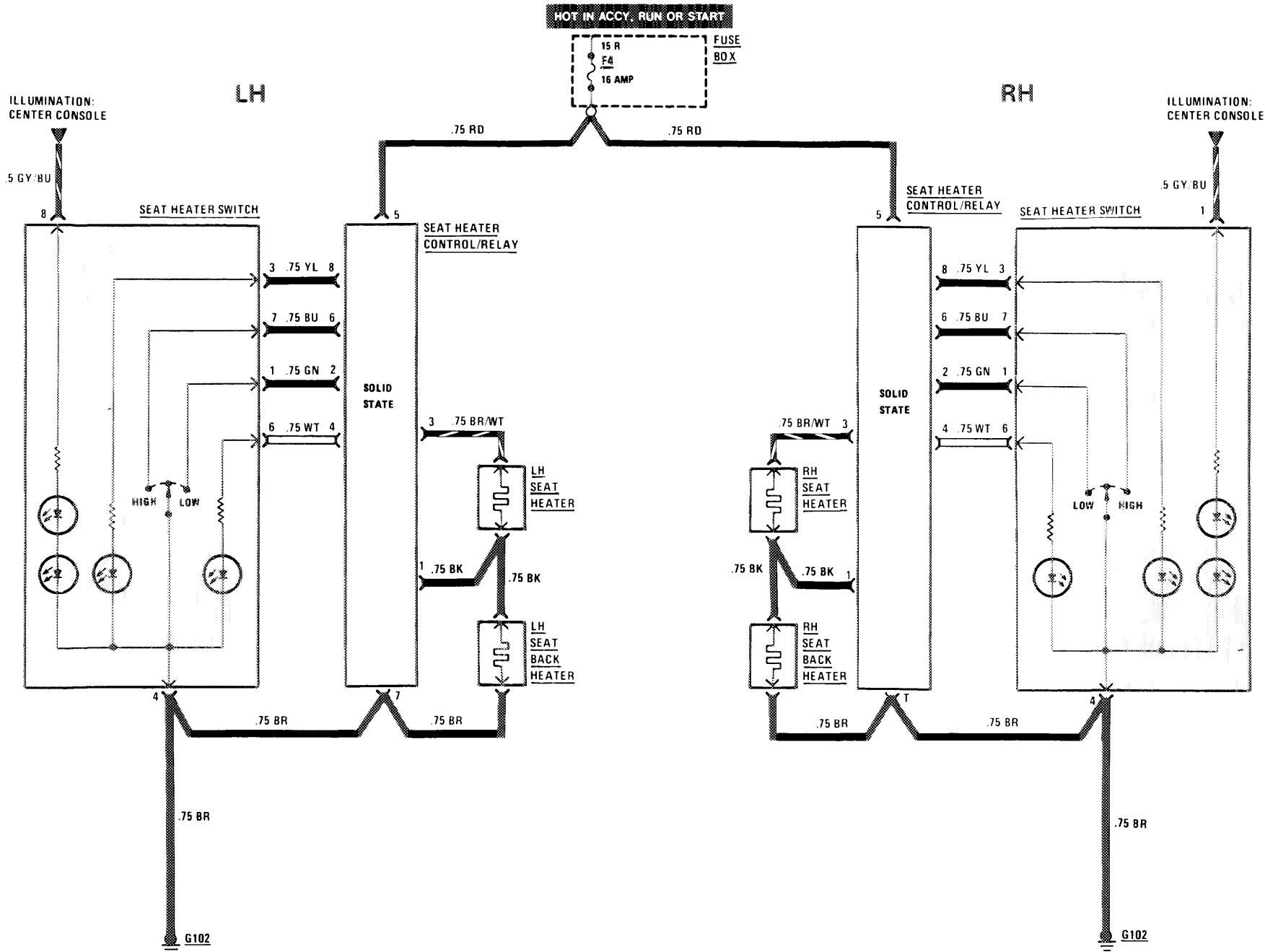
3/85

HEATED SEATS

(For Component Location, See Page 203)

3:85

123.133/153/193



134/1

REVISIONS:

THIS PAGE LEFT BLANK INTENTIONALLY

REVISIONS:

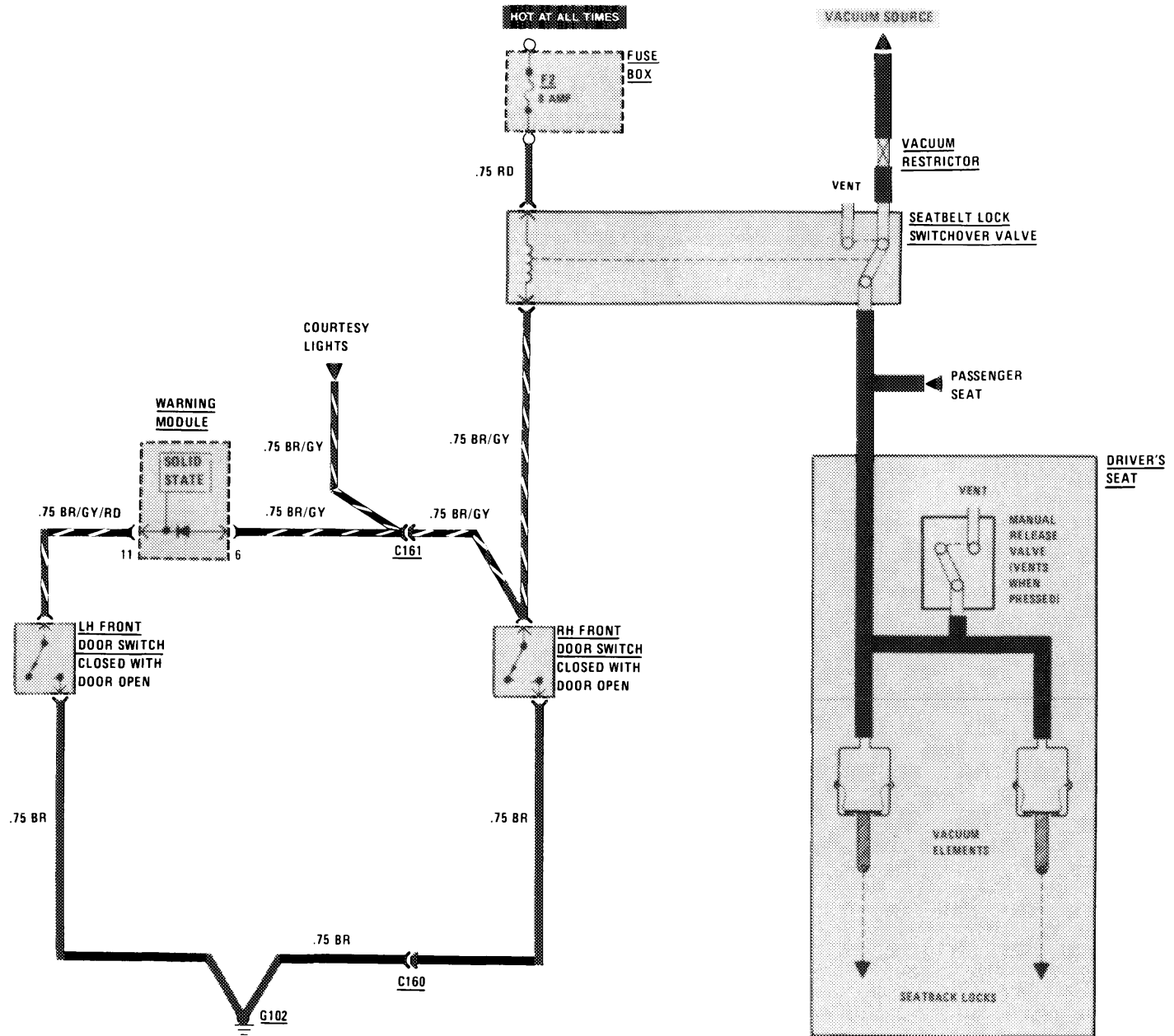
134/2

123.133/.153/.193

3/85

SEAT BACKREST LOCKING SYSTEM

(For Component Locations See Page 206)



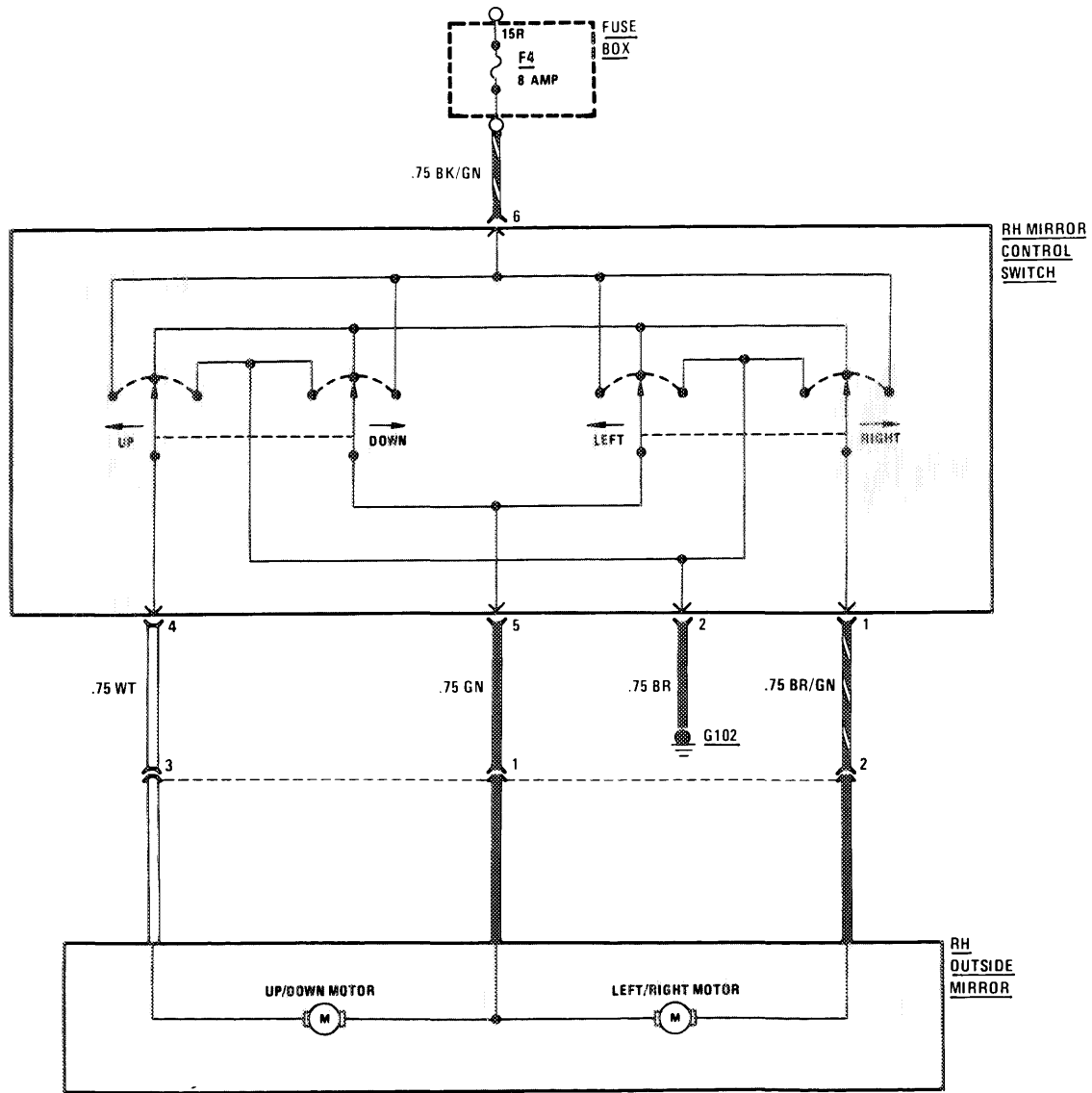
123.133/.153/.193

REVISIONS:

RH OUTSIDE MIRROR

(For Component Locations See Page 206)

HOT IN ACCY. RUN OR START



136

123.133/.153/.193

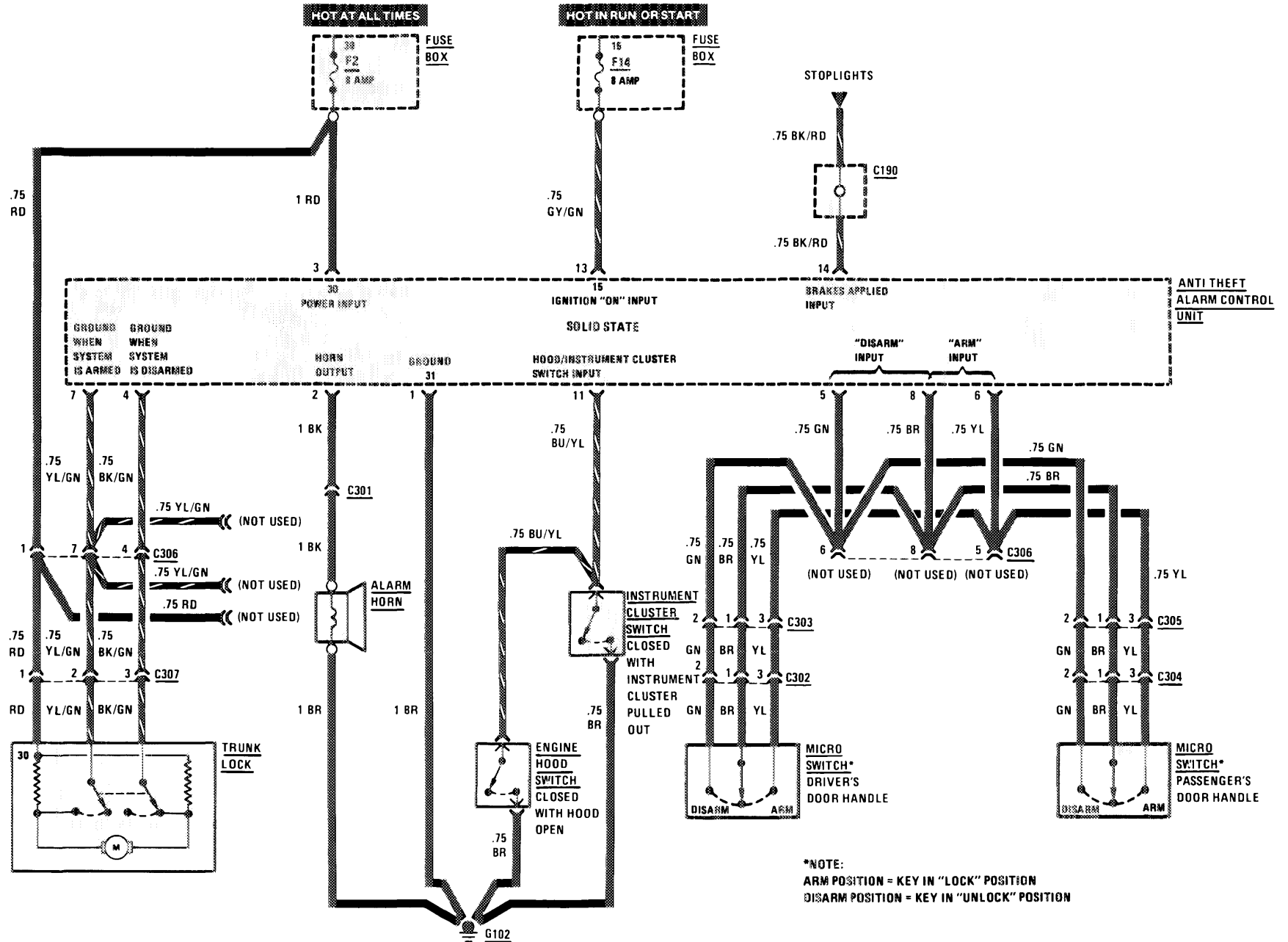
REVISIONS:

3/85

(For Component Locations See Page 213)

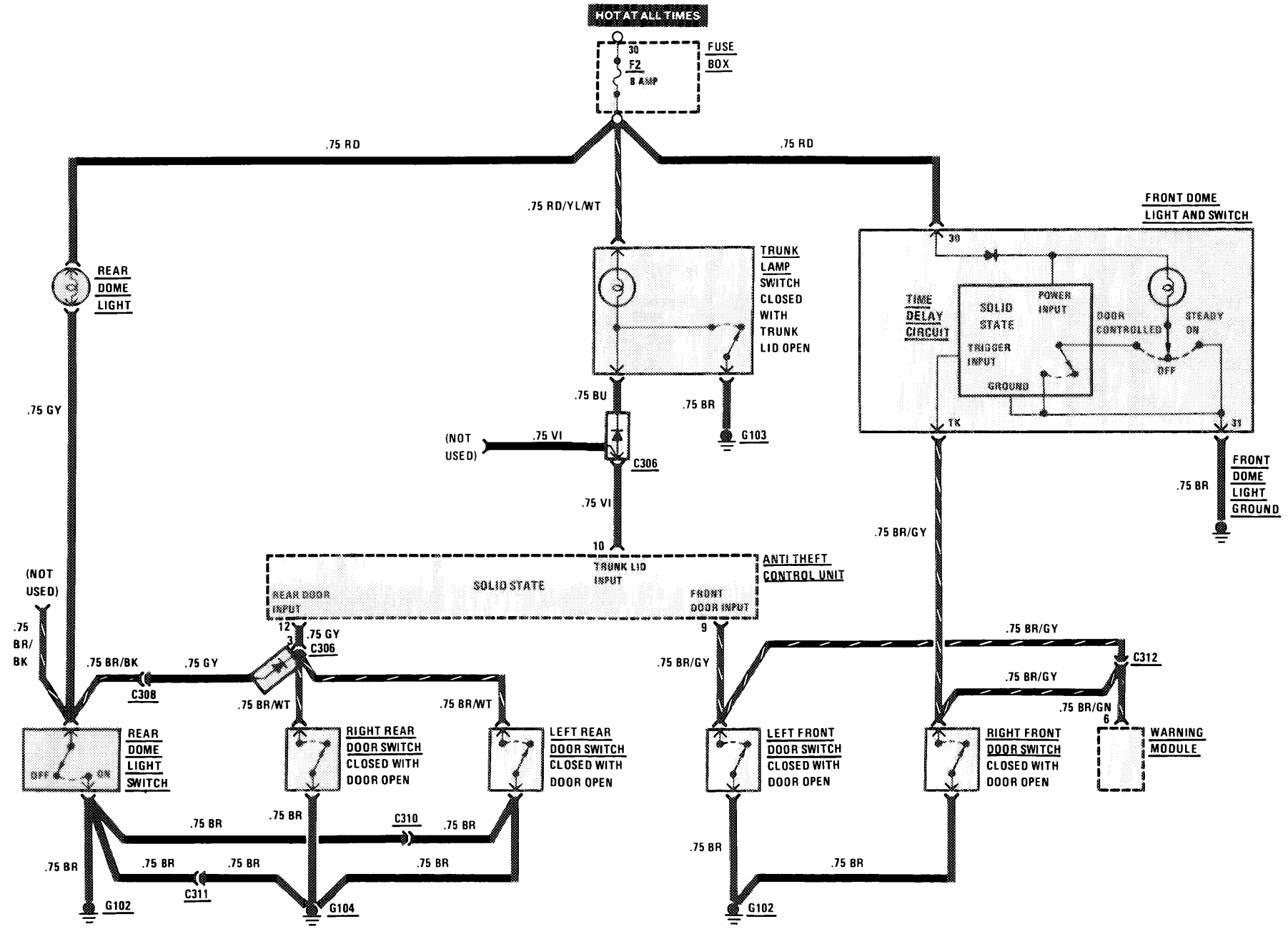
3/85

123.133/.153/.193



137

REVISIONS:

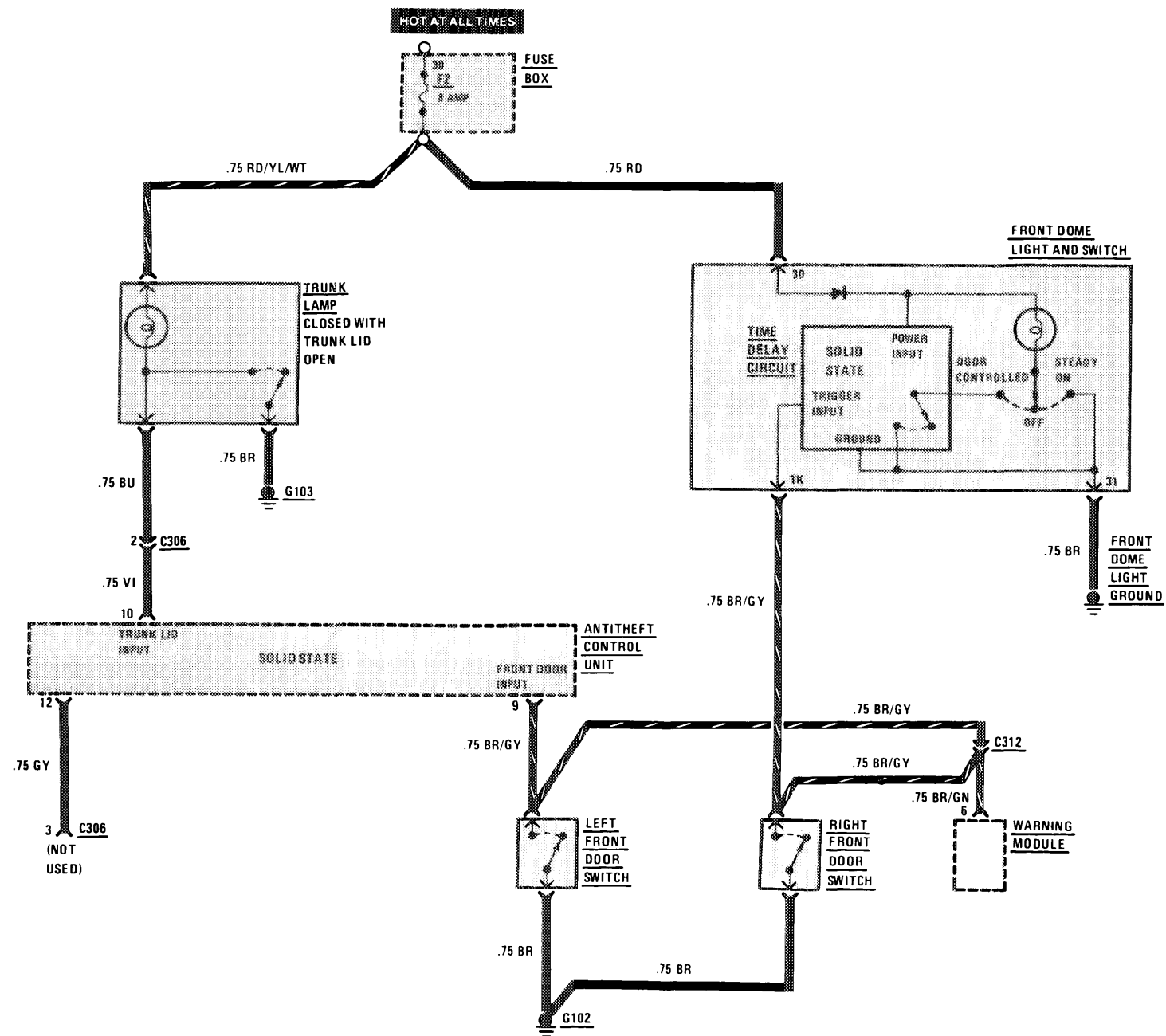


REVISIONS:

(For Component Locations See Page 213)

140

123.133/.153/.193



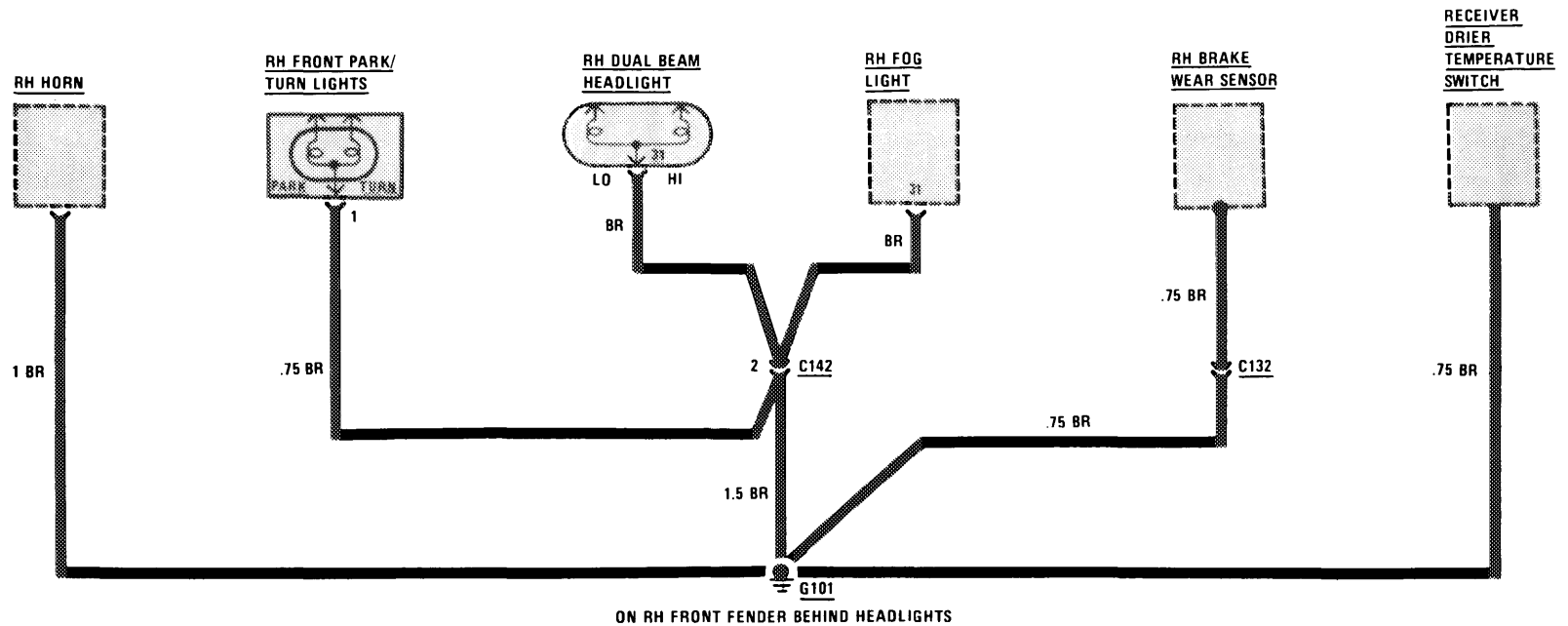
REVISIONS:

3.85

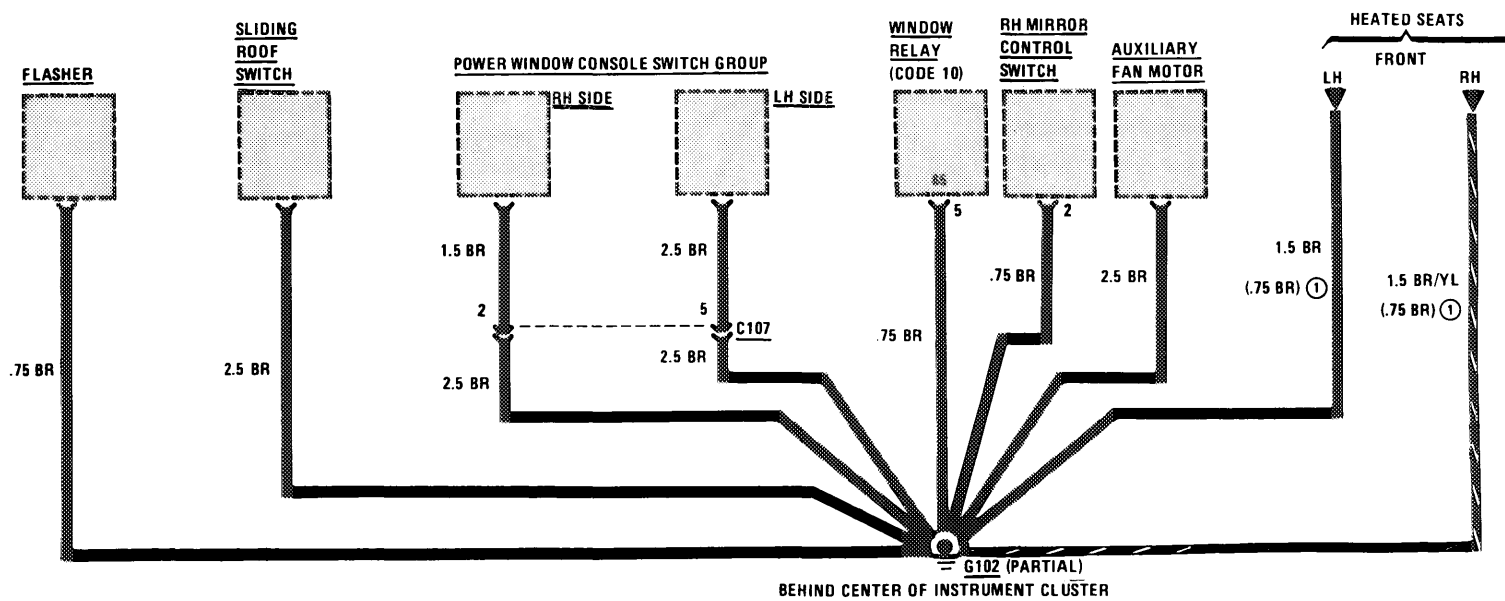
GROUND DISTRIBUTION

300 D/CD/T

3185



123.133/.153/.193



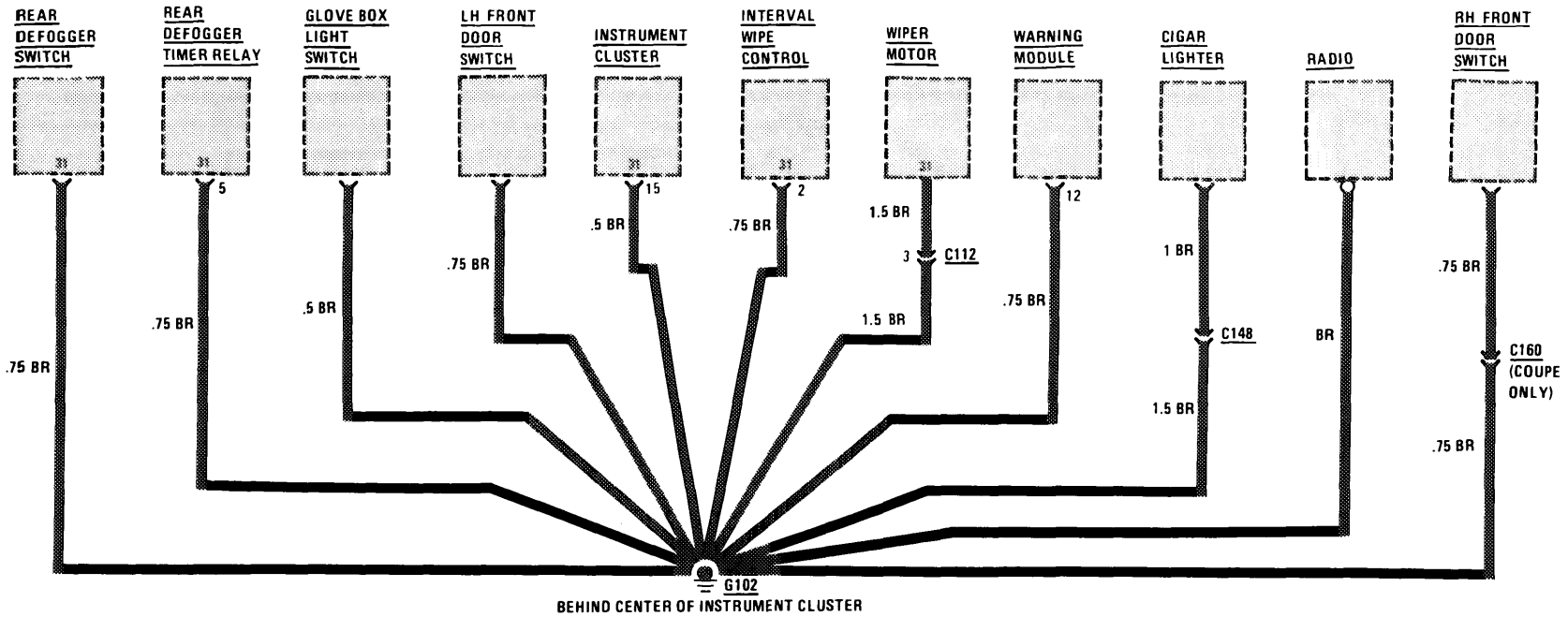
REVISIONS: ① AS OF MODEL YEAR 1984

141

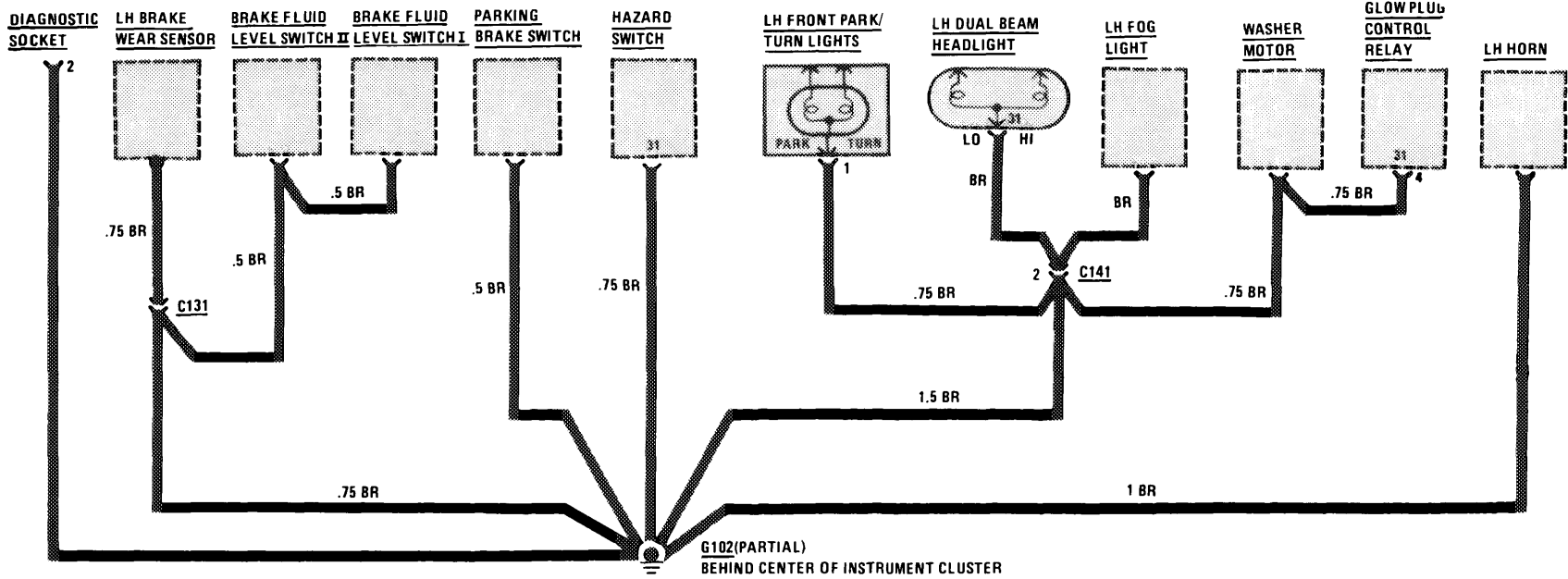
GROUND DISTRIBUTION

300 D/CD/10

142



123.133/.153/.193



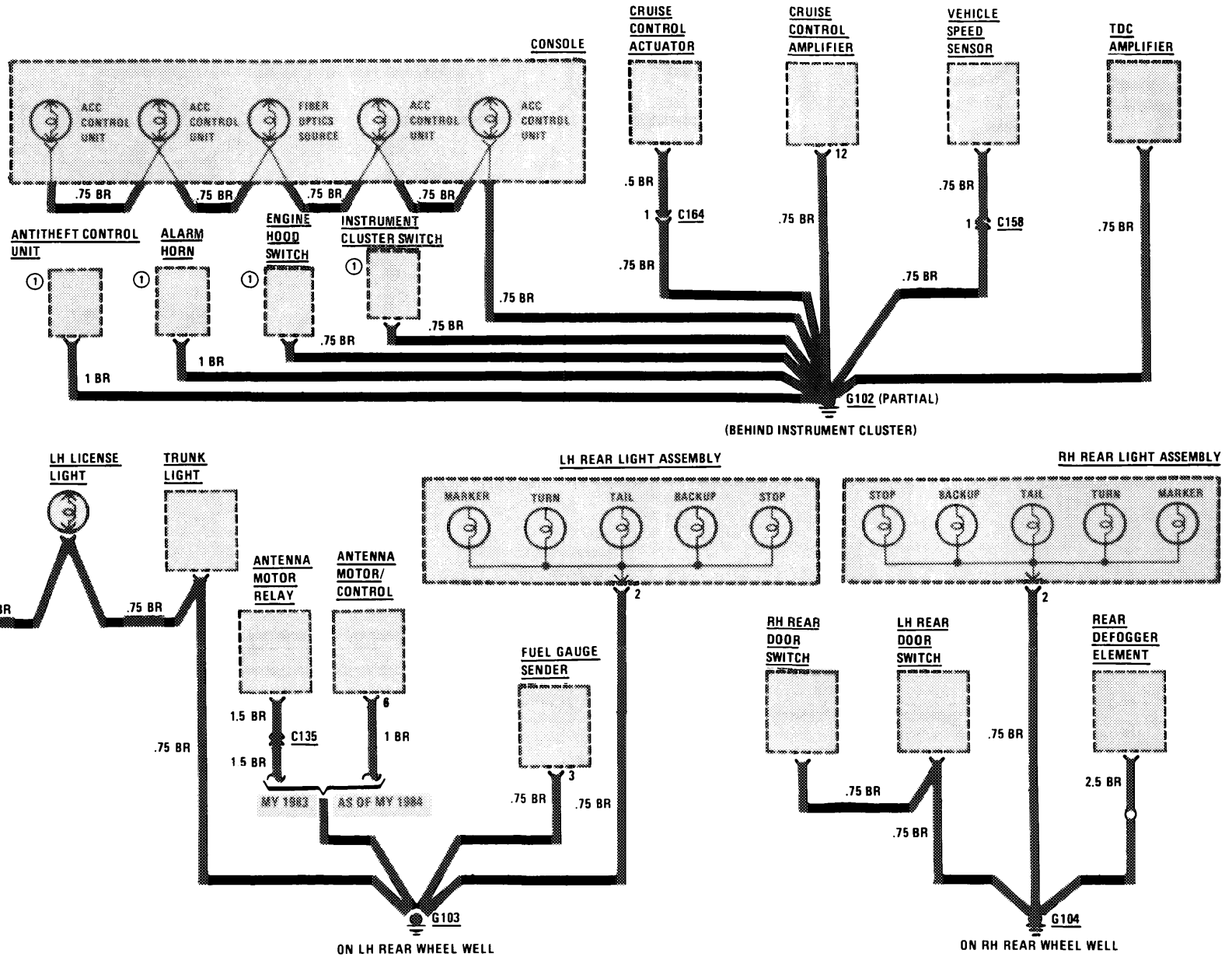
REVISIONS:

3/00

GROUND DISTRIBUTION

300 D/

3185

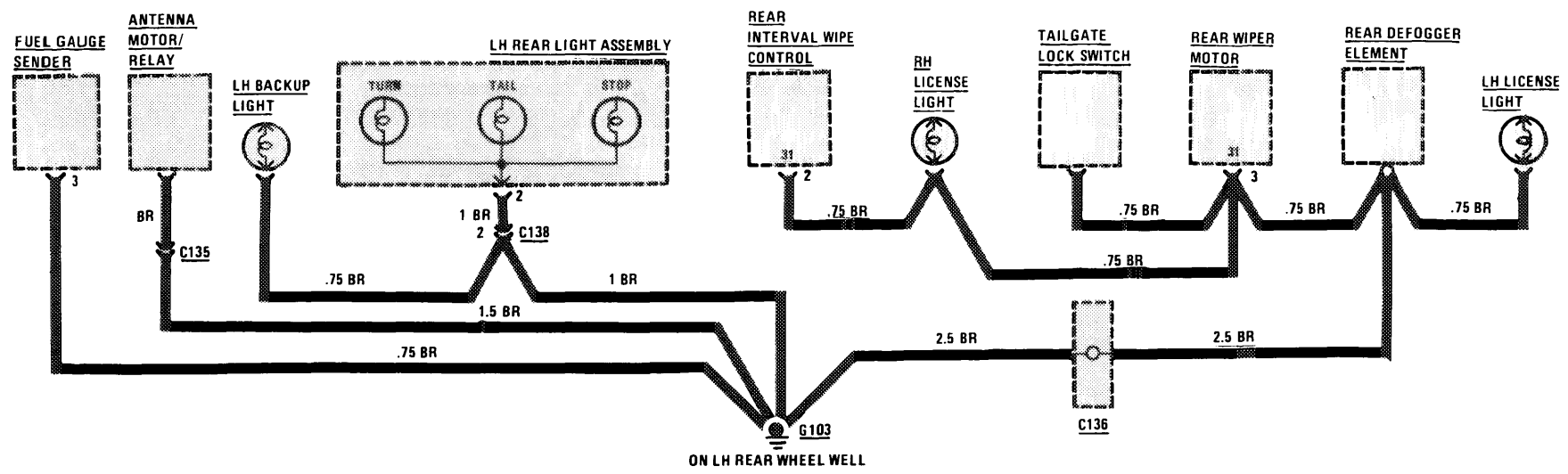


123.133/.153

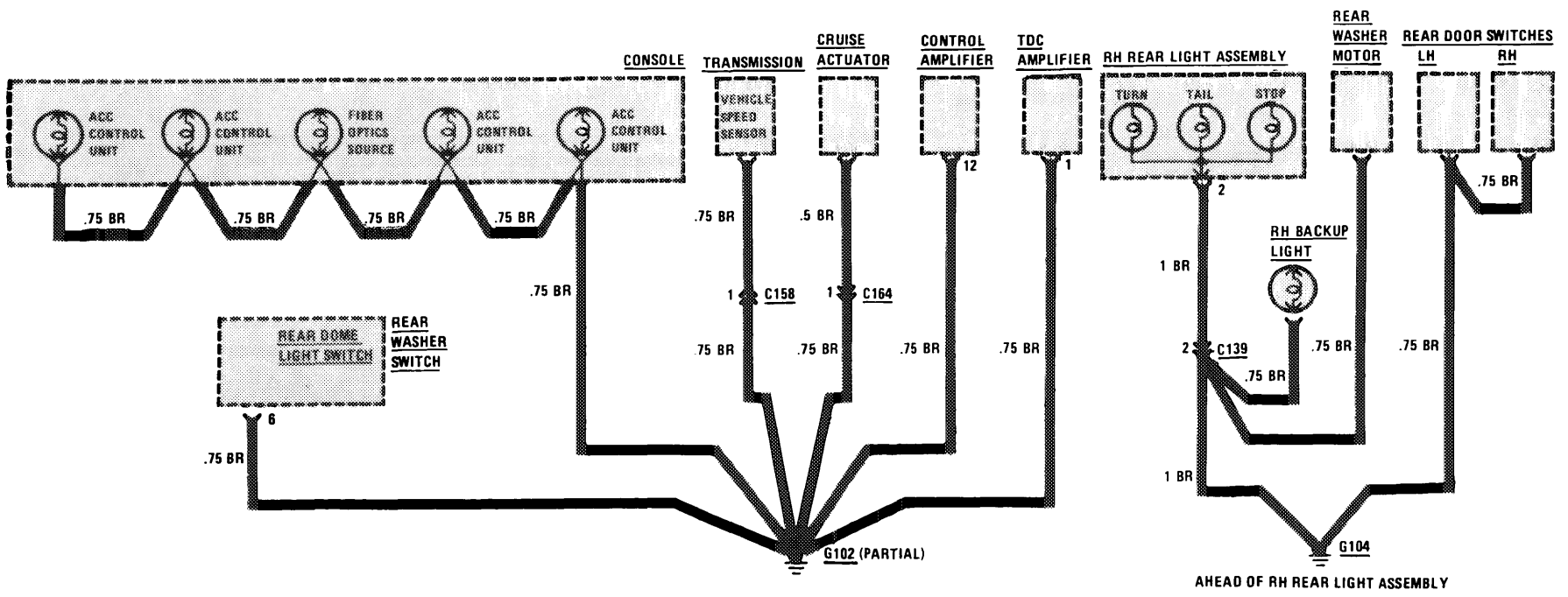
143

REVISIONS: ① AS OF MODEL YEAR 1985

144



123.193



REVISIONS: